

MHTL-HB-PRM INSTALLATION INSTRUCTIONS



Risk of fire or electric shock. The electrical rating of these products are 120-277 Vac.

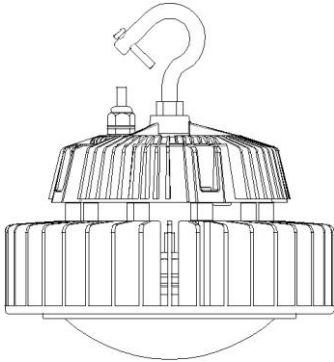
Risk of fire or electric shock. LED Commercial High Bay installation requires knowledge of luminaires electrical systems. If not qualified, do not attempt installation. Contact a qualified electrician.

To prevent wiring damage or abrasion, do not expose wiring to edges of sheet metal or other sharp objects.

Disconnect power before installing the product or servicing it.

Wait until fixture has cooled down before installing or servicing the fixture.

High Bay Fixture Top

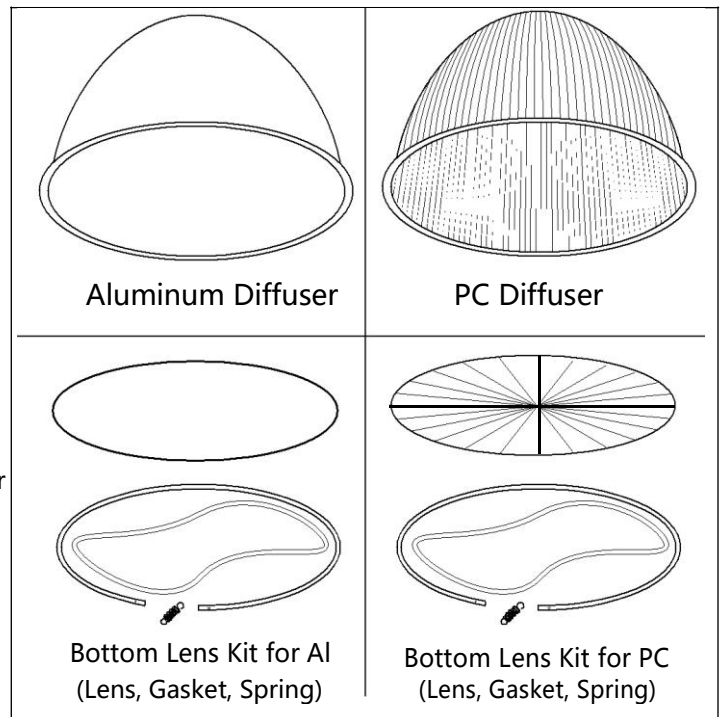


Required Tools

Philips Screwdriver (to install diffuser) and Wire Stripper (to connect wires to power source)



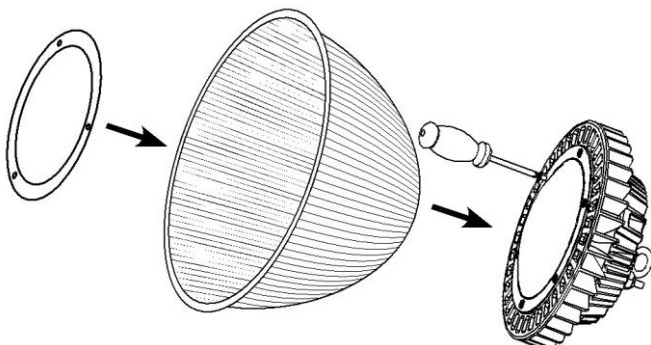
Diffusers and Optional Bottom Lens



Installing Diffuser

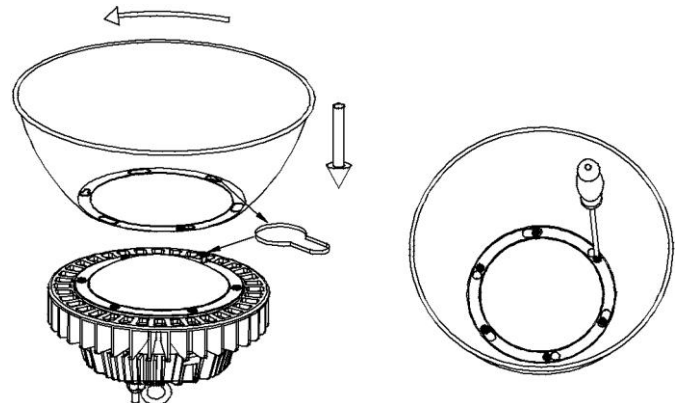
PC Diffuser:

Remove (3) protruding screws from High Bay top. Place diffuser ring on PC diffuser and install it on the fixture top.



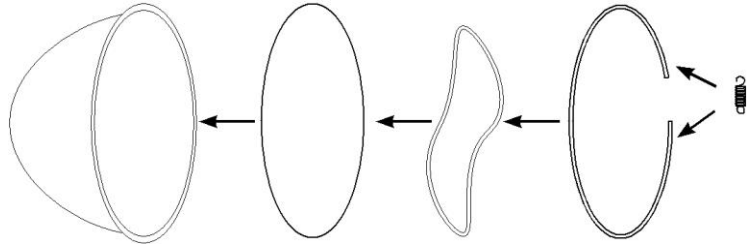
Aluminum Diffuser:

Loosen (3) protruding screws on High Bay top. Place aluminum diffuser over the screws, turn-n-lock the diffuser in place. Secure the three screws.



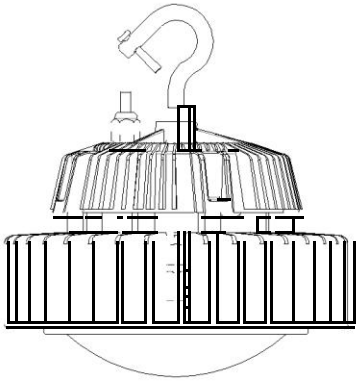
Installing Bottom Lens (if lens in included)

- Place gasket on the lens
- Place lens on the diffuser
- Place ring over diffuser
- Secure with spring hook

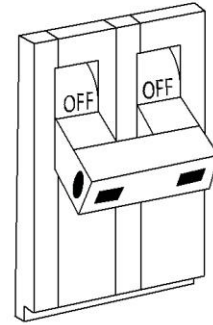


Installing Fixture

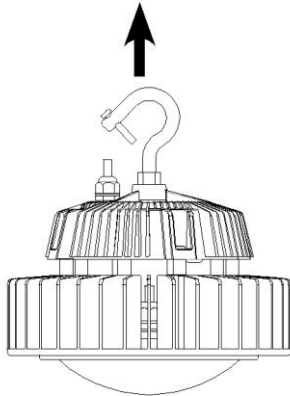
- Remove fixture from the box. Install diffuser as instructed above. Install lens if needed. Inspect damage on the fixture



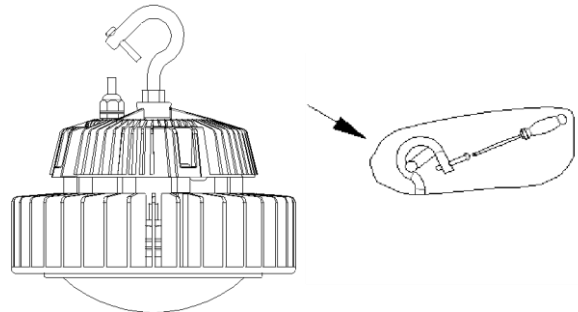
- Turn off power.



- Install fixture using hook or conduit.



- Secure fixture with set screws on the hook.



- Connect fixture to power source. (If fixture comes with plug, plug into power source)

AC/L (Brown)
AC/N (Blue)
FG ⊕ (Green/Yellow) SJTW 18AWG*3C

DIM+ (BLUE)
DIM- (WHITE) SVT 18AWG*2C

