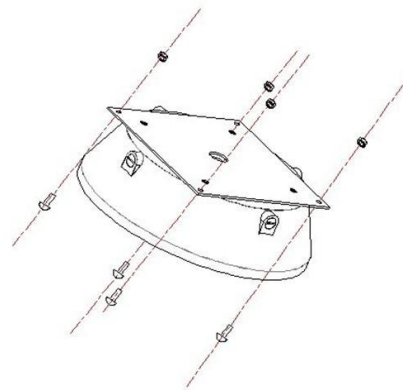
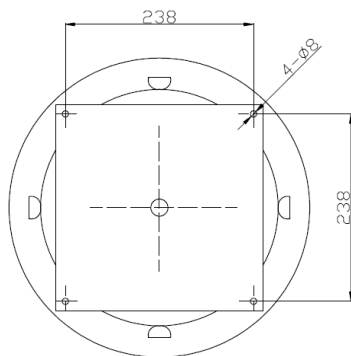


**1. Main Data:**

Fixture Model	LED	Input Voltage (VAC)	System Wattage	Ballast Model	Power Factor @120V
MHTL-RCL-48E	XTE	120-277V 50/60Hz	48W	EUC-052S140ST	≥0.95

**2. Dimensions: (mm)**



※ **Installation: Standard Surface Mount & 3/4” Pendant. Optional 1/2” Pendant with adapter.**

**3. Maintenance Instructions:**

- 3.1 This product is to be installed and serviced by a certified electrician.
- 3.2 The Luminaire should be installed in an area with good ventilation, clear of any corrosive or combustible gases and explosive objects.
- 3.3 A supply voltage tolerance of +/- 10% is allowable. An improper installation outside of this range or with the incorrect input voltage will influence the normal operation of this luminaire and result in damage to the lamp and electronic ballast.
- 3.4 The luminaire must be properly grounded to prevent accidental electrical shocks, and to prevent interference from the electrical ballast affecting the normal operation of the luminaire.
- 3.5 Do not open the housing with the luminaire powered on.

**Note:** This information is subject to change without notice



**Warning:** The Luminaire must be grounded properly to prevent electrical shocks and accidental power leakage.