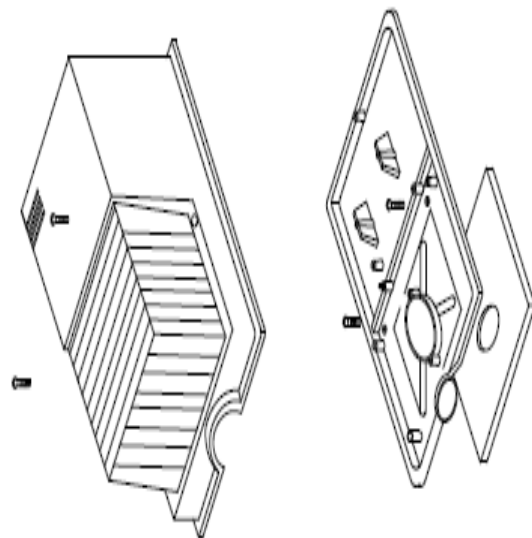
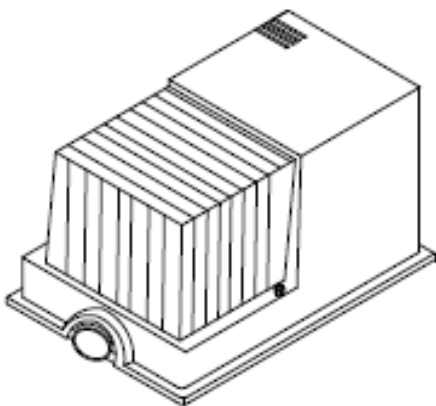


## 1. Installation and Maintenance Instructions:

- 1.1 This product is to be installed and serviced by a certified electrician.
- 1.2 Maintenance is to be performed when the power is off and the lamp has cooled down.
- 1.3 The Luminaire should be installed in an area with good ventilation, clear of any corrosive or combustible gases and explosive objects.
- 1.4 A supply voltage tolerance of +/- 10% is allowable. An improper installation outside of this range or with the incorrect input voltage will influence the normal operation of this luminaire and result in damage to the lamp and electronic ballast.
- 1.5 The luminaire must be properly grounded to prevent accidental electrical shocks, and to prevent interference from the electrical ballast affecting the normal operation of the luminaire.

## 2. Mounting:

- 2.1. Remove front cover/diffuser.
- 2.2. Put power leads through the back hole of the housing.
- 2.3. Install housing on the wall using anchors and screws.
- 2.4. Connect fixture leads to power leads.
- 2.5. Check all wiring connection and make sure all screws are tightened.
- 2.6. Re-install cover/diffuser and energize the fixture.



278 x 167 x 127 mm  
10.9" x 6.6" x 5"