

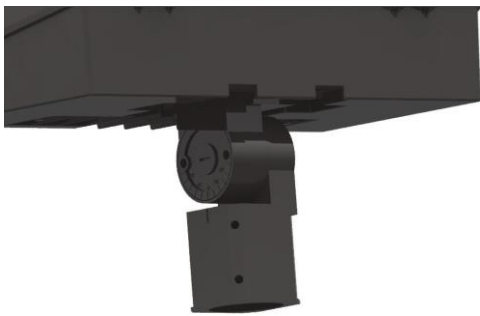


**Installation and Maintenance:**

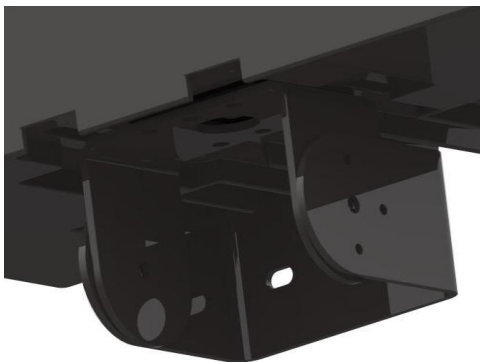
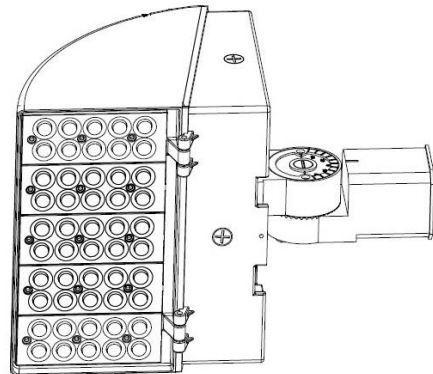
1. This product is to be installed and serviced by a certified electrician.
2. The Luminaire should be installed in an area with good ventilation, clear of any corrosive or combustible gases and explosive objects.
3. Standard supply voltage is 110-277V, with a tolerance of +/- 10% is allowable. An improper installation outside of this range or with the incorrect input voltage will influence the normal operation of this luminaire and result in damage to the lamp and electronic ballast.
4. The luminaire must be properly grounded to prevent accidental electrical shocks, and to prevent interference from the electrical ballast affecting the normal operation of the luminaire.
5. Do not open the housing with the luminaire powered on.

**Mounting Types:**

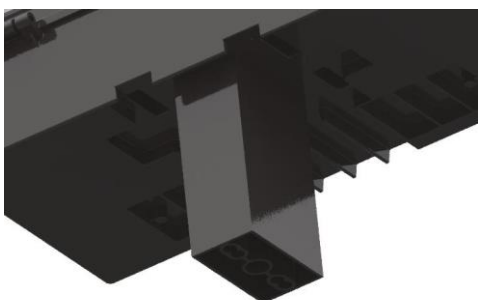
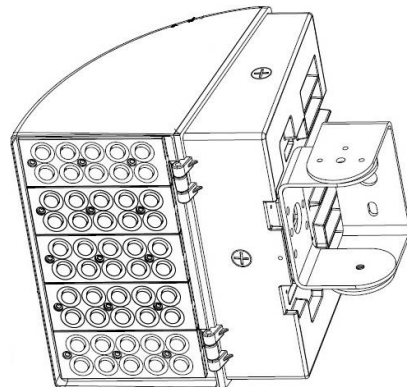
- a) Slip fitter – Fits O.D. 2-3/8” round pole, adjustable, over 6” power leads come out from the slip fitter.
- b) Swivel – Surface mount option, either on square pole or wall, adjustable, over 1ft power cord comes out.
- c) Extruded Arm – Comes in either 6” or 10” for square pole, non-adjustable, over 1ft cord comes out.



Slip Fitter



Swivel Mount



Extruded Arm

