

**Installation and Maintenance Instructions:**

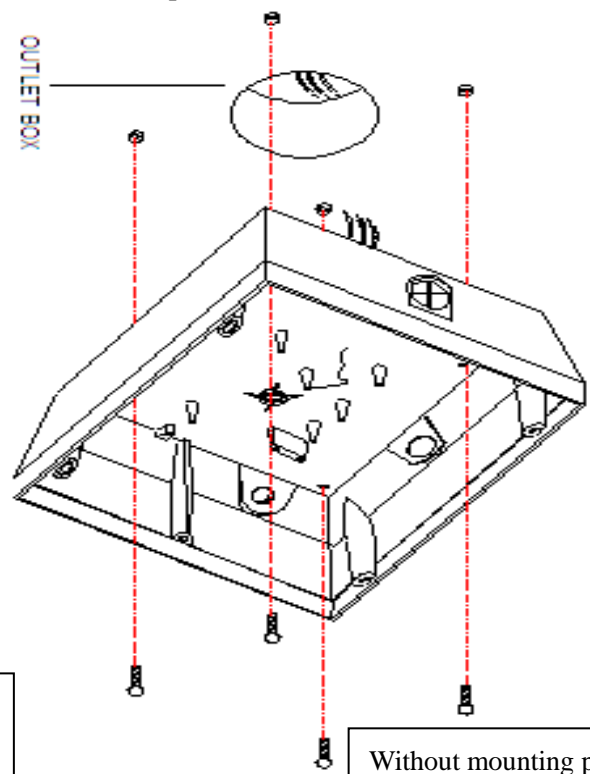
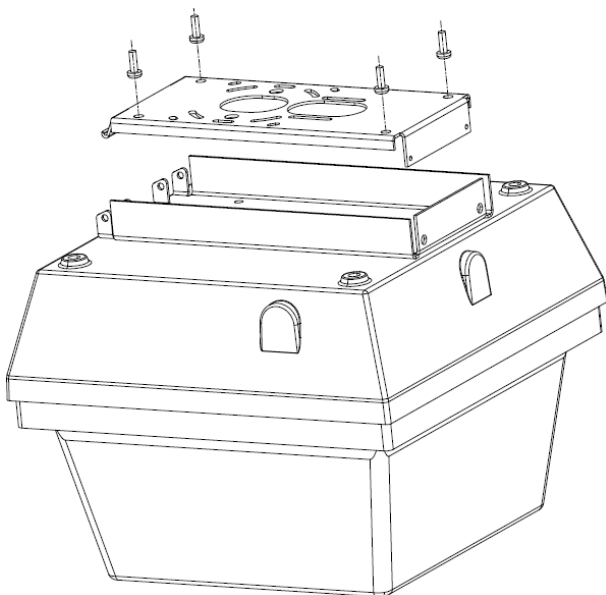
1. This product is to be installed and serviced by a certified electrician.
2. The Luminaire should be installed in an area with good ventilation, clear of any corrosive or combustible gases and explosive objects.
3. A supply voltage tolerance of +/- 10% is allowable. An improper installation outside of this range or with the incorrect input voltage will influence the normal operation of this luminaire and result in damage to the lamp and electronic ballast.
4. The luminaire must be properly grounded to prevent accidental electrical shocks, and to prevent interference from the electrical ballast affecting the normal operation of the luminaire.
5. Do not open the housing with the luminaire powered on.

**Installation with Surface Mount Bracket:**

1. Remove mounting bracket from fixture and install on ceiling using anchors and screws.
2. Mount fixture on mounting bracket and connect power source to fixture.
3. Secure fixture on mounting bracket with set screws.

**Installation without Surface Mount Bracket:**

4. Remove both the diffuser and reflector.
5. Mount housing on the ceiling using anchors and screws.
6. Connect power source to the fixture through the hole on the topside of the fixture.
7. Replace the diffuser and reflector.



With mounting plate – Remove mounting plate from fixture and install it on the ceiling using anchors and screws, then mount the fixture on the plate and tighten set screw.

Without mounting plate

**Note:** This information is subject to change without notice