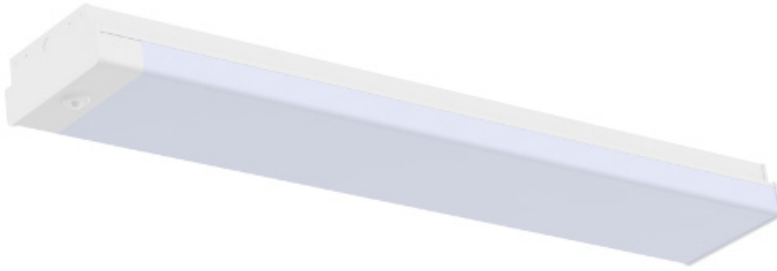


LED WRAPAROUND MHTi-WRP-MT SERIES

Project _____

Part Number _____

Quantity _____



APPLICATIONS

- Corporate Campus
- Data Center
- Education
- Healthcare
- Retail

FEATURES

- >100,000 Hours Rated Lifespan
- 10-year Warranty
- L80 > 78,000 Hours
- Lightweight Aluminum Extrusion Housing
- Powder Coated White Finished
- Wraparound Clear Prismatic Acrylic Lens
- Highly Reflective White Coating
- Standard Ceiling or Wall Surface Mount
- Optional Rod Pendant or Cable Suspended
- Complete With Integrated Sensor



SPECIFICATIONS

- Color Temperature 3500K/4000K/5000K

- CRI > 80

Model	Input Power	Lm/W	Lumen	CCT	Dimensions
MHTi-WRP-MT-4-26E	26W	>125	>3,300	4000K	48" x 8" x 3.5"
MHTi-WRP-MT-6-48E	48W	>120	>6,000	4000K	60" x 8" x 3.5"

ORDERING CODES

MHTi-WRP-MT E

Size & Wattage: 4-26E=4ft-26W 6-48E=6ft-48W
Color Temp: 4K=4000K
Mounting: SM=Surface PM=Pendant CM=Chain
Options: [Standard in White] AC=Aircraft Cable (Custom Length)



Manufactured in the USA

Toll Free **888-511-7780** • www.mhtlighting.com



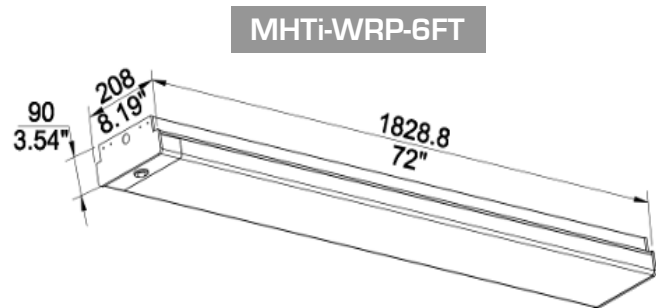
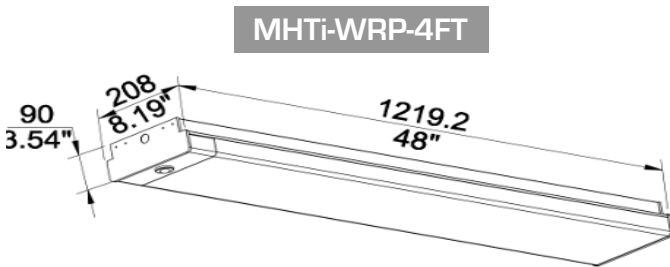
LED WRAPAROUND MHTi-WRP-MT SERIES

Project _____

Part Number _____

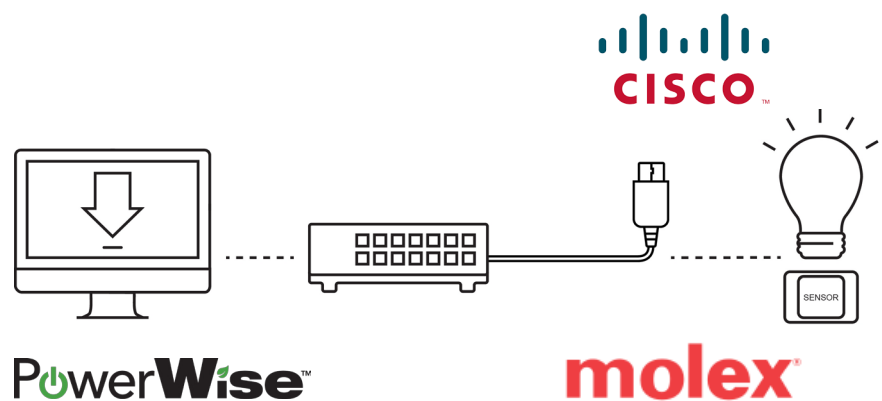
Quantity _____

DIMENSIONS



SYSTEM BENEFITS

- Powered by CISCO - PowerWise Category Cable
- Real-time Energy Management
- Monitor Workplace Productivity
- Reduce Installation Time
- Reduce Material Costs
- Space Utilization Reporting
- Daylight Harvesting
- Real-time Security Alerts



- MHT Products are ETL Listed and Assembled in ISO9000/1 Certified US Facility
- MHT Lighting Offers a 10-year Warranty (See Warranty Terms and Conditions)
- Every Product is Quality Tested and Inspected Prior to Shipment
- Proudly Manufactured in the USA. Meets "Buy American" Requirements within the ARRA

MHT Plant Operations

1961 Richmond Terrace
Staten Island, New York 10302
Tel: (718) 524-4370
Fax: (718) 524-4390

West Coast Operations

9543 Heinrich Hertz Dr. Suite 5
San Diego, California 92154
Tel: (619) 661-0600
Fax: (619) 661-0607

www.mhtlighting.com

888-511-7780

MHT Confidential
Rev Date: January 2017