

LED DOWN LIGHT

MHTi-DL-MT SERIES

Project _____

Part Number _____

Quantity _____



FEATURES

- >125,000 Hours Rated Lifespan
- 10-year Warranty
- L70 > 100,000 Hours
- Cast Aluminum Housing in White Finish
- Frosted Finish Polycarbonate Diffuser
- Longer Life and Better Heat Dissipation
- Clips Provide Easy Installation
- Complete with Non-Integrated Sensor
- Supports Up To Three Fixtures Per Port
- Wire Harness to Connect Up To Three Fixtures Per Port

APPLICATIONS

- Airport, Corporate Campus
- Data Center, Healthcare, Retail



SPECIFICATIONS

- Color Temperature 3500K/4000K/5000K
- CRI > 80

Model	Input Power	Maximum Number of Fixtures Per Port	Lm/W	Lumen	Dimensions	Opening
MHTi-DL-MT-4-9E	9W	3	>100	>900	Ø5.5" x 2.36"	4.5"
MHTi-DL-MT-6-9E	9W	3	>110	>1,000	Ø7" x 3"	6"
MHTi-DL-MT-6-13E	13W	2	>110	>1,500	Ø7" x 3"	6"

ORDERING CODES

MHTi-DL-MT

--	--	--	--	--

Size and Wattage:

4-9E=4"-9W

6-9E=6"-9W

6-13E=6"-13W

Color Temp:

35K=3500K

4K=4000K

5K=5000K

Fixture per Port:

2=Two Fixtures

3=Three Fixtures

Options:

(Standard in White Trim)

AC=Custom Length Aircraft Cable

JC=Custom Length Jumper Cable
(Specify Cable Length)



Manufactured in the USA

Toll Free **888.511.7780** • www.mhtlighting.com



LED DOWN LIGHT

MHTi-DL-MT SERIES

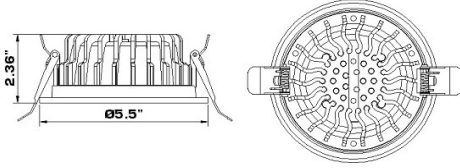
Project _____

Part Number _____

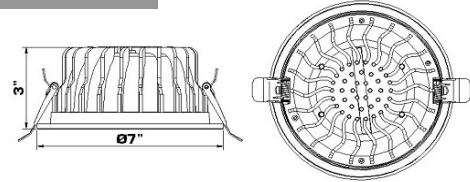
Quantity _____

DIMENSIONS

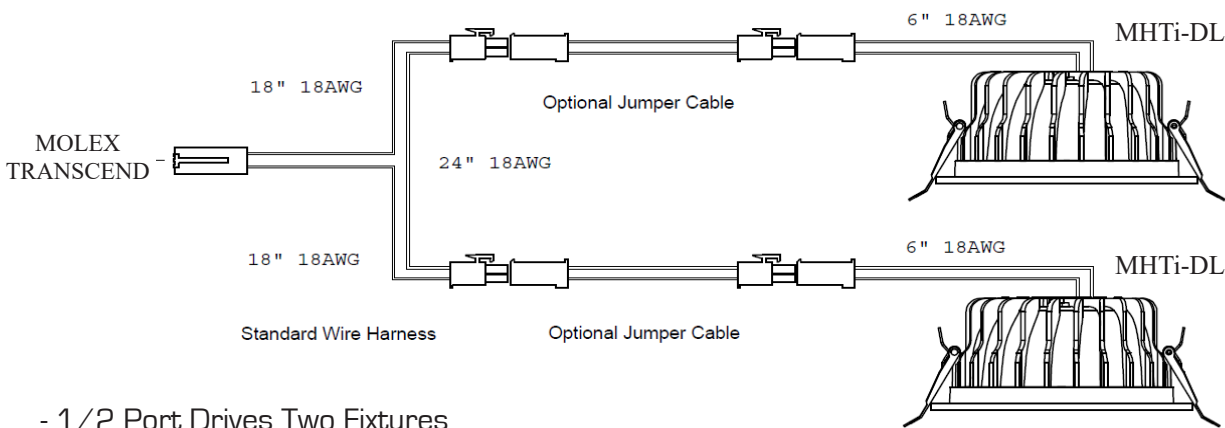
MHTi-MT-4-9E



MHTi-MT-6-9E
MHTi-MT-6-13E



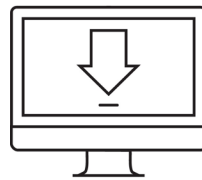
WIRING DIAGRAMS



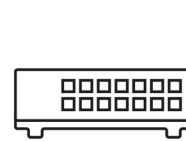
- 1/2 Port Drives Two Fixtures

SYSTEM BENEFITS

- Powered by CISCO - PowerWise Category Cable
- Real-time Energy Management
- Monitor Workplace Productivity
- Reduce Installation Time
- Reduce Material Costs
- Space Utilization Reporting
- Daylight Harvesting
- Real-time Security Alerts



PowerWise™



molex®



- MHT Products are ETL Listed and Assembled in ISO9000/1 Certified US Facility
- MHT Lighting Offers a 10-year Warranty (See Warranty Terms and Conditions)
- Every Product is Quality Tested and Inspected Prior to Shipment
- Proudly Manufactured in the USA. Meets "Buy American" Requirements within the ARRA

MHT Manufacturing
1961 Richmond Terrace
Staten Island, New York 10302
Tel: 718.524.4370
Fax: 718.524.4390

West Coast Operations
9543 Heinrich Hertz Dr. Suite 5
San Diego, California 92154
Tel: 619.661.0600
Fax: 619.661.0607

www.mhtlighting.com
888.511.7780

MHT Confidential
Rev: January 2017