

LED FLAT PANEL Direct-Lit Series

MHTi-PAN-DIR-MT SERIES

Project _____

Part Number _____

Quantity _____



FEATURES

- 10-year Warranty
- >150,000 Hours Rated Lifespan
- L70 > 100,000 Hours
- Extruded Aluminum Construction
- Durable and Efficient White Acrylic Diffuser
- Full Even Illumination Across the Diffuser
- Standard Grid Mount with Safety Cable/Chain Ready
- Available Ceiling Surface Mount Kit
- Optional Suspended Cable Mount
- Complete with Integrated Sensor

APPLICATIONS

- Commercial Campus
- Conference/Meeting Room
- Data Center
- Education, Healthcare, Office



SPECIFICATIONS

- Color Temperature 4000K/5000K
- CRI > 85

Model	Input Power	Lm/W	Lumen	Dimensions
*MHTi-PAN-DIR-MT-2x2-28E	28W	>110	>2,800	23.75" x 23.75" x 2.38"
*MHTi-PAN-DIR-MT-2x4-28E	28W	>115	>3,000	23.75" x 47.75" x 2.38"
MHTi-PAN-DIR-MT-2x4-48E	48W	>110	>5,600	23.75" x 47.75" x 2.38"

*Multiple Configurations are Available

ORDERING CODES

MHTi-PAN-DIR-MT

Size & Wattage:
2x2-28E=28W
2x4-28E=28W
2x4-48E=48W

Color Temperature:
4K=4000K
5K=5000K

Mounting Options:
SM=Ceiling Surface Mount
PM=3/8" Threaded Rod Pendant
AC=Suspended Cable Mount

Options:
EM=Emergency Battery



Manufactured in the USA

Toll Free **888.511.7780** • www.mhtlighting.com



LED FLAT PANEL Direct-lit Series

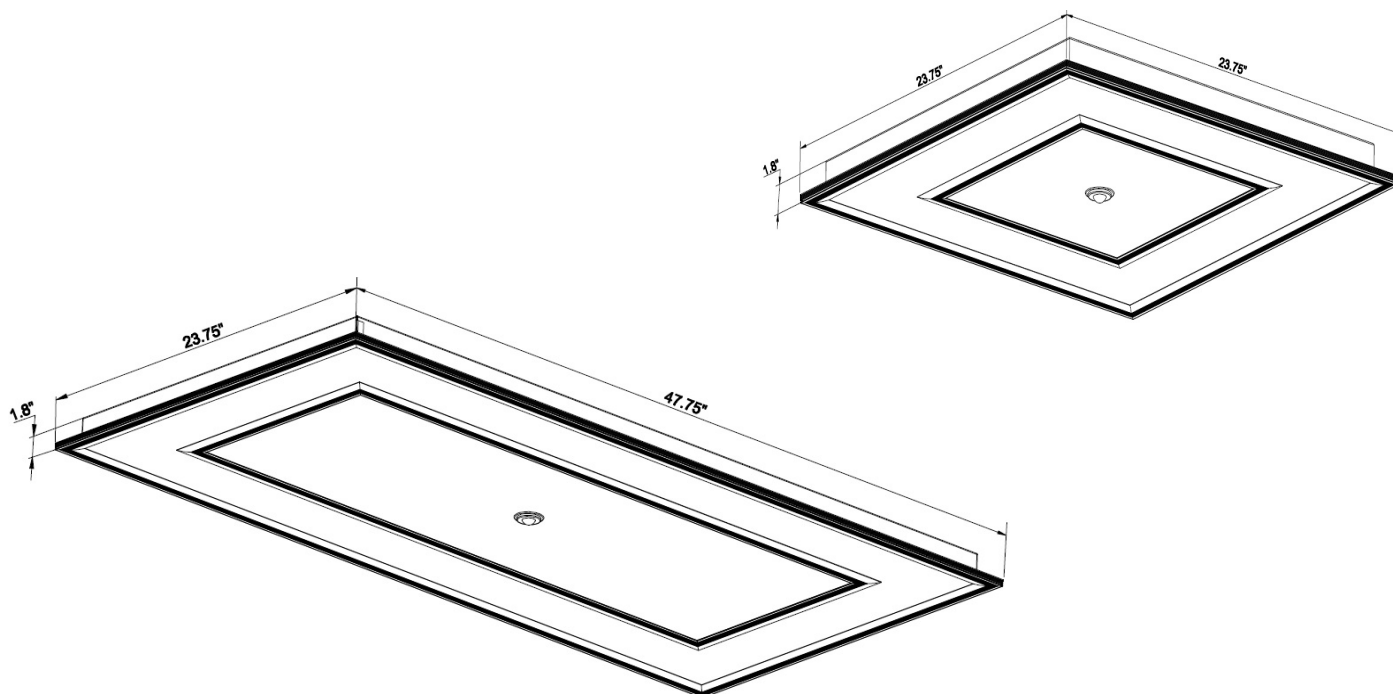
MHTi-PAN-DIR-MT SERIES

Project _____

Part Number _____

Quantity _____

DIMENSIONS

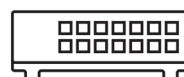


SYSTEM BENEFITS

- Powered by CISCO - PowerWise Category Cable
- Real-time Energy Management
- Monitor Workplace Productivity
- Reduce Installation Time
- Reduce Material Costs
- Space Utilization Reporting
- Daylight Harvesting
- Real-time Security Alerts



PowerWise™



CISCO™



molex®

- MHT Products are ETL Listed and Assembled in ISO9000/1 Certified US Facility
- MHT Lighting Offers a 10-year Warranty (See Warranty Terms and Conditions)
- Every Product is Quality Tested and Inspected
- Proudly Manufactured in the USA. Meets "Buy American" Requirements within the ARRA

MHT Manufacturing

1961 Richmond Terrace
Staten Island, New York 10302
Tel: 718.524.4370
Fax: 718.524.4390

West Coast Operations

9543 Heinrich Hertz Dr. Suite 5
San Diego, California 92154
Tel: 619.661.0600
Fax: 619.661.0607

www.mhtlighting.com

888.511.7780

MHT Confidential
Rev: March 2017