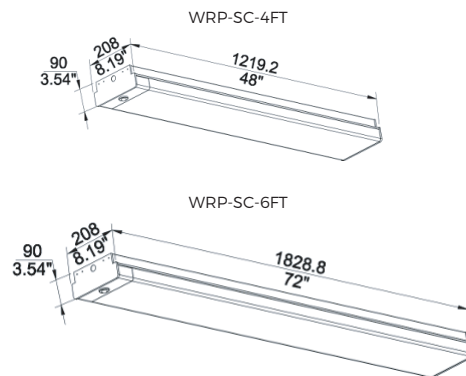


mhtlighting

illuminating PoE technology



DIMENSIONS



MHTi-WRP-SC

LED WRAPAROUND Series

The inspeXtor Platform is a PoE Lighting Management System providing Building Automation and Data Collection PoE Systems are Safe and Efficient Low Voltage Platform

FEATURES

- LED Wraparound Style LED Fixture

GENERAL INFORMATION

Applications	Corporate Campuses, Data Centers, Education, Retail, and Healthcare Facilities
Warranty	10-Year Warranty
Construction	Lightweight Steel Housing Lens: Clear Prismatic Acrylic
Certifications	  

PRODUCT DATA

Electrical	Integrated PoE Low Voltage Driver Node. Optional Integrated Sensor and Emergency Battery Backup.
Mounting	Suspended Cable (Standard 3FT) / Ceiling/Wall Surface Mount
Lumens	3,000-5,200 Lumens
Max Input Power	28W/48W
CRI	> 80
CCT	3000K/3500K/4000K/5000K
L70 Lifetime	> 50,000 Hours
Rated Lifespan	> 100,000 Hours
Dimensions	4FT: 48" x 8" x 3.5" 6FT: 72" x 8" x 3.5"

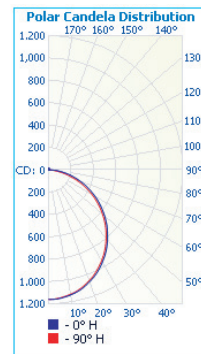
ORDERING INFO: Sample Code - MHTi-WRP-SC-4FT-28E-4K-SM-EM

Series	Size & Wattage	Color Temperatures	Mountings	Options
MHTi-WRP-SC				
MHTi-WRP-SC	4FT-28E - 4FT - 28W 6FT-28E - 6FT - 28W 6FT-48E - 6FT - 48W	3K - 3000K 35K - 3500K 4K - 4000K 5K - 5000K	AC - Suspended Cable (Standard 3FT) SM - Ceiling/Wall Surface Mount	(Blank) - Standard in White EM - Emergency Battery Backup IS - Integrated Motion Sensor

PHOTOMETRICS

MHTi-WRP-SC-4FT-28E

Luminaire Output: 3,000 lumens, 28 Watts



	Center Beam fc	Beam Width	
1.5ft	517 fc	4.1 ft	4.1 ft
3.0ft	129 fc	8.2 ft	8.3 ft
4.5ft	57.5 fc	12.3 ft	12.4 ft
6.0ft	32.3 fc	16.4 ft	16.5 ft
7.5ft	20.7 fc	20.5 ft	20.7 ft
9.0ft	14.4 fc	24.5 ft	24.8 ft

■ Vert. Spread: 107.5°
■ Horiz. Spread: 108.1°

FIXTURE PERFORMANCE

Model	Max Wattage	LUMEN
MHTi-WRP-SC-4FT-28E-35K	28W	3,000
MHTi-WRP-SC-6FT-48E-35K	48W	5,200