

# mhtlighting

illuminating PoE technology

## MHTi-VOLS-SC




### LED SINGLE LENS VOLUMETRIC Series

The inspeXtor Platform is a PoE Lighting Management System providing Building Automation and Data Collection PoE Systems are Safe and Efficient Low Voltage Platform

#### FEATURES

- Single Basket Volumetric LED Fixture Complete with Integrated Sensor

#### GENERAL INFORMATION

Applications	Corporate Campuses, Data Centers, Education, Retail, and Healthcare Facilities
Warranty	10-Year Warranty
Construction	Slim and Lightweight Steel Housing, With a Highly Reflective White Finish. <b>Lens:</b> White Polycarbonate
Certifications	  

#### PRODUCT DATA

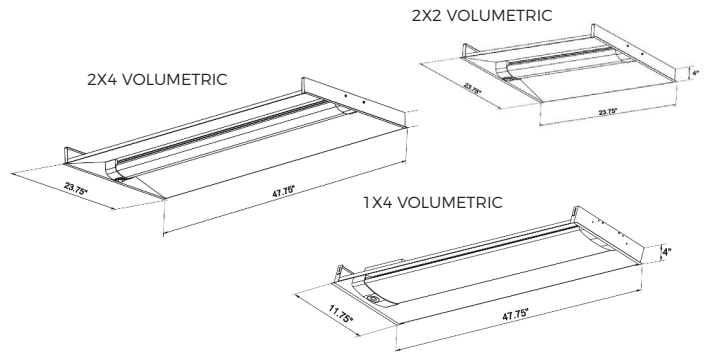
Electrical	Integrated PoE Low Voltage Driver Node. Optional Integrated Motion Sensor and Emergency Battery Backup.
Mounting	Standard Grid Mount. Optional Ceiling Surface Mount Kit.
Lumens	3,000 - 5,200 Lumens
Max Input Power	28W/48W
CRI	> 80
CCT	3000K/3500K/4000K/5000K Tunable 3000K to 5000K
L70 Lifetime	> 50,000 Hours
Rated Lifespan	> 100,000 Hours
Dimensions	1x4: 11.75" x 47.75" x 4" 2x2: 23.75" x 23.75" x 4" 2x4: 23.75" x 47.75" x 4"

#### ORDERING INFO: Sample Code - MHTi-VOLS-SC-2X2-28E-35K-RM-EM

Series	Size & Wattage	Color Temperatures	Mountings	Options
MHTi-VOLS-SC				
MHTi-VOLS-SC	1X4-28E - 28W 1x4 Volumetric 2X2-28E - 28W 2x2 Volumetric 2X4-28E - 28W 2x4 Volumetric 2X4-48E - 48W 2x4 Volumetric	3K - 3000K 35K - 3500K 4K - 4000K 5K - 5000K AT - Tunable 3000K to 5000K	SM - Ceiling Surface Mount RM - Recessed Grid Mount	(Blank) - Standard in White EM - Emergency Battery Backup IS - Integrated Motion Sensor



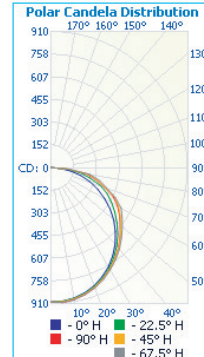
#### DIMENSIONS



#### PHOTOMETRICS

##### MHTi-VOLS-SC-2X2-28E

Luminaire Output: 2,954 lumens, 28 Watts



Center Beam fc	Illuminance at a Distance	
	Beam Width	
1.5ft	398 fc	4.6 ft 6.6 ft
3.0ft	99.4 fc	9.2 ft 13.2 ft
4.5ft	44.2 fc	13.7 ft 19.8 ft
6.0ft	24.9 fc	18.3 ft 26.4 ft
7.5ft	15.9 fc	22.9 ft 33.0 ft
9.0ft	11.0 fc	27.5 ft 39.6 ft

■ Vert. Spread: 113.6°  
■ Horiz. Spread: 131.1°

#### FIXTURE PERFORMANCE

Model	Max Wattage	LUMEN
MHTi-VOLS-SC-1X4-28E-35K	28W	3,000
MHTi-VOLS-SC-2X2-28E-35K	28W	3,000
MHTi-VOLS-SC-2X4-48E-35K	48W	5,200