

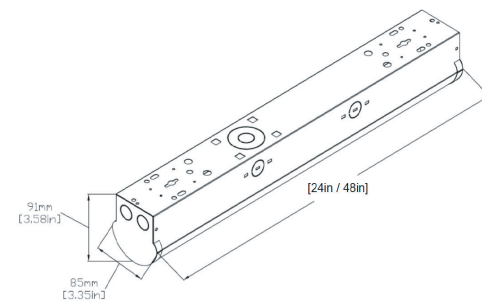


mhtlighting

illuminating PoE technology



DIMENSIONS



MHTi-STRP-ECO-SC




LED WRAPAROUND Series

The inspeXtor Platform is a PoE Lighting Management System providing Building Automation and Data Collection PoE Systems are Safe and Efficient Low Voltage Platform

FEATURES

- LED Wraparound Style LED Fixture

GENERAL INFORMATION

Applications	Corporate Campuses, Data Centers, Education, Retail, and Healthcare Facilities
Warranty	10-Year Warranty
Construction	Steel Construction Housing with Highly Reflective White Coating Lens: Clear Prismatic Polycarbonate
Certifications	  

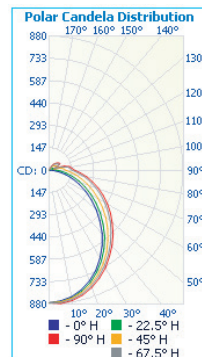
PRODUCT DATA

Electrical	Integrated PoE Low Voltage Driver Node. Optional Integrated Emergency Battery Backup. Optional Non-integrated Motion Sensor.
Mounting	Suspended Cable Mount / Ceiling/Wall Surface Mount
Lumens	3,000 Lumens
Max Input Power	28W
CRI	> 80
CCT	3000K/3500K/4000K/5000K
L70 Lifetime	> 50,000 Hours
Rated Lifespan	> 100,000 Hours
Dimensions	2FT: 24" x 3.35" x 3.58" 4FT: 48" x 3.35" x 3.58"

PHOTOMETRICS

MHTi-STRP-ECO-SC-4FT-28E

Luminaire Output: 3,005 lumens, 28 Watts



Center Beam fc	Beam Width	
	Vertical Spread	Horizontal Spread
1.5ft	3.4 ft	5.4 ft
3.0ft	6.7 ft	10.8 ft
4.5ft	10.1 ft	16.2 ft
6.0ft	13.4 ft	21.6 ft
7.5ft	16.8 ft	27.0 ft
9.0ft	20.1 ft	32.4 ft

■ Vert. Spread: 96.4°
 ■ Horiz. Spread: 121.9°

FIXTURE PERFORMANCE

Model	Max Wattage	LUMEN
MHTi-STRP-ECO-SC-2FT-28E-35K	28W	3,000
MHTi-STRP-ECO-SC-4FT-28E-35K	28W	3,000

ORDERING INFO: Sample Code - MHTi-STRP-ECO-SC-4FT-28E-4K-SM-EM

Series	Size & Wattage	Color Temperatures	Mountings	Options
MHTi-STRP-ECO-SC				
MHTi-STRP-ECO-SC	2FT-28E - 2FT - 28W 4FT-28E - 4FT - 28W	3K - 3000K 35K - 3500K 4K - 4000K 5K - 5000K	AC - Suspended Cable Mount SM - Ceiling/Wall Surface Mount	(Blank) - Standard in White EM - Emergency Battery Backup