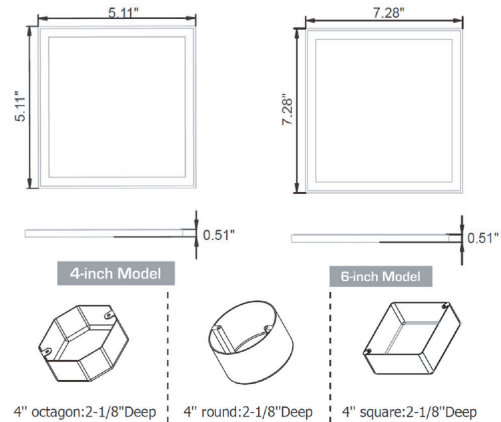


# mhtlighting

illuminating PoE technology



## DIMENSIONS



4-inch Model is not compatible with 4" square box

## MHTi-SMD-SC




### LED SURFACE MOUNTED DOWNLIGHT Series

The inspeXtor Platform is a PoE Lighting Management System providing Building Automation and Data Collection PoE Systems are Safe and Efficient Low Voltage Platform

### FEATURES

- LED Surface Mounted LED Square Downlight Fixture Designed for 4-inch J-Box

### GENERAL INFORMATION

Applications	Bathrooms, Corridors, and Other Interior Spaces
Warranty	5-Year Warranty
Construction	Die-cast Aluminum Trim Lens: White Frosted Polycarbonate
Certifications	  

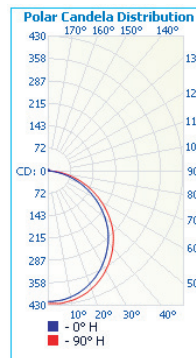
### PRODUCT DATA

Electrical	Non-Integrated PoE Low Voltage Driver Node, Sensor and Emergency Battery Backup.
Mounting	Ceiling surface mount
Lumens	1,000-1,400 Lumens
Max Input Power	10W/14W
CRI	> 90
CCT	3000K/3500K/4000K/5000K
L70 Lifetime	> 50,000 Hours
Rated Lifespan	> 60,000 Hours
Dimensions	4-inch - 5.11" x 5.11" x 0.51 6-inch - 7.28" x 7.28" x 0.51

### PHOTOMETRICS

#### MHTi-SMD-SC-S-4-10E

Luminaire Output: 1,056 lumens, 10 Watts



Center Beam Fc	Illuminance at a Distance	
	Beam Width	Beam Width
1.5ft	185 fc	4.0 ft 4.1 ft
3.0ft	46.2 fc	8.0 ft 8.2 ft
4.5ft	20.5 fc	12.0 ft 12.3 ft
6.0ft	11.5 fc	16.0 ft 16.4 ft
7.5ft	7.39 fc	20.0 ft 20.5 ft
9.0ft	5.13 fc	24.0 ft 24.5 ft

■ Vert. Spread: 106.2°  
■ Horiz. Spread: 107.5°

### FIXTURE PERFORMANCE

Model	Max Wattage	LUMEN
MHTi-SMD-SC-S-4-10E-3K	10W	1,000
MHTi-SMD-SC-S-6-14E-3K	14W	1,400

### ORDERING INFO: Sample Code - MHTi-SMD-SC-S-4-10E-4K-EM

Series	Size & Wattage	Color Temperatures	Options
MHTi-SMD-SC			
MHTi-SMD-SC	S-4-10E - Square 4-inch 10W S-6-14E - Square 6-inch 14W	3K - 3000K 35K - 3500K 4K - 4000K 5K - 5000K	(Blank) - Standard in White Trim EM - Emergency Battery Backup