



mhtlighting
illuminating PoE technology

MHTi-RFM-SC

LED ROUND PANEL Series

The inspeXtor Platform is a PoE Lighting Management System providing Building Automation and Data Collection PoE Systems are Safe and Efficient Low Voltage Platform

FEATURES

- LED Surface Mounted Round Ceiling LED Fixture

GENERAL INFORMATION

Applications	Corporate Campuses, Conference and Meeting Rooms, Education, and Healthcare Facilities
Warranty	10-Year Warranty
Construction	Die-cast Aluminum Trim Lens: White Acrylic
Certifications	  

PRODUCT DATA

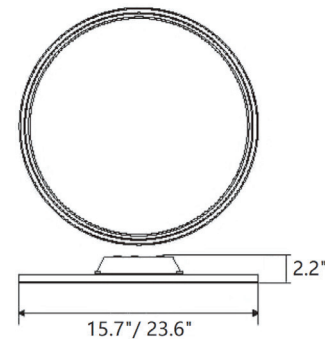
Electrical	Integrated PoE Low Voltage Driver Node. Non-integrated Motion Sensor and Emergency Battery Backup.
Mounting	Flush mount
Lumens	2,000 - 2,800 Lumens
Max Input Power	20W/28W
CRI	> 85
CCT	3000K/3500K/4000K/5000K/Tunable (2700K to 5700K)
L70 Lifetime	> 50,000 Hours
Rated Lifespan	> 100,000 Hours
Dimensions	15-20E - 15.7" x 2.2" 20-28E - 23.6" x 2.2"

ORDERING INFO: Sample Code - MHTi-RFM-SC-20-28E-3K

Series	Size & Wattage	Color Temperatures	Options
MHTi-RFM-SC			
MHTi-RFM-SC	15-20E - 15.7" - 20W 20-28E - 23.6" - 28W	3K - 3000K 35K - 3500K 4K - 4000K 5K - 5000K AT - 2700K to 5700K	(Blank) - Standard in White EM - Emergency Battery Backup

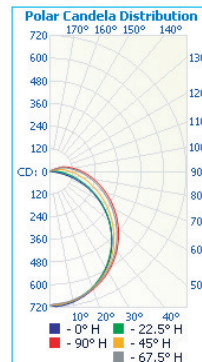


DIMENSIONS



PHOTOMETRICS

MHTi-RFM-SC-15-20E
Luminaire Output: 2,091 lumens, 20 Watts



Center Beam fc	Beam Width	
	Vert. Spread	Horiz. Spread
1.5ft	313 fc	4.2 ft 6.1 ft
3.0ft	78.3 fc	8.4 ft 12.2 ft
4.5ft	34.8 fc	12.6 ft 18.3 ft
6.0ft	19.6 fc	16.8 ft 24.4 ft
7.5ft	12.5 fc	21.0 ft 30.5 ft
9.0ft	8.70 fc	25.2 ft 36.6 ft

■ Vert. Spread: 108.9°
■ Horiz. Spread: 127.6°

FIXTURE PERFORMANCE

Model	Max Wattage	LUMEN
MHTi-RFM-SC-15-20E-3K	20W	2,000
MHTi-RFM-SC-20-28E-3K	28W	2,800