



mhtlighting
illuminating PoE technology



MHTi-PAR20-SC




LED PoE PAR20 Kit Series

The inspeXtor Platform is a PoE Lighting Management System providing Building Automation and Data Collection PoE Systems are Safe and Efficient Low Voltage Platform

FEATURES

- LED Surface Mounted LED Square Downlight Fixture Designed for 4-inch J-Box

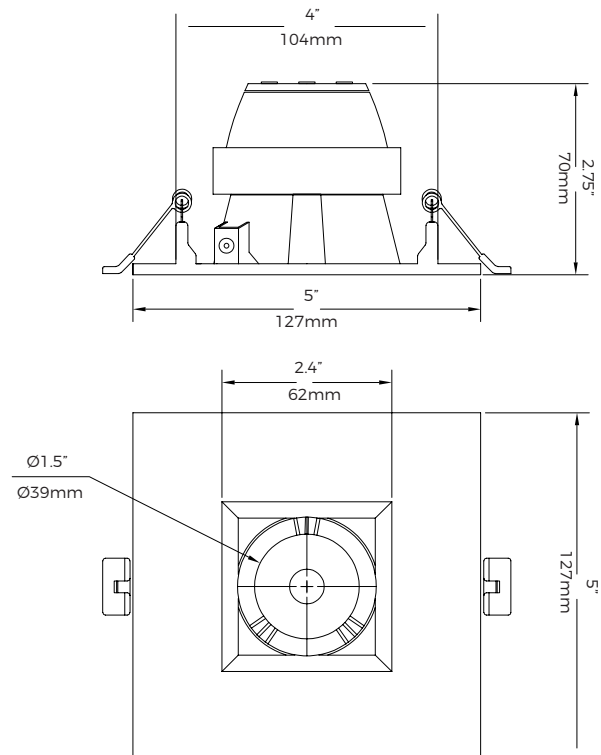
GENERAL INFORMATION

Applications	Bathrooms, Corridors, and Other Interior Spaces
Warranty	5-Year Warranty
Construction	Die-cast Aluminum White Housing with Steel Spring Clips Lens: Polycarbonate Optical
Certifications	  

PRODUCT DATA

Electrical	Non-Integrated PoE Low Voltage Driver Node, Sensor and Emergency Battery Backup
Mounting	Recessed Ceiling Mount
Lumens	900 Lumens
Max Input Power	9W
CRI	> 80
CCT	2700K/3000K/3500K/4000K/5000K
L70 Lifetime	> 50,000 Hours
Rated Lifespan	> 50,000 Hours
Dimensions	5" x 5" x 3"

DIMENSIONS



FIXTURE PERFORMANCE

Model	Max Wattage	LUMEN
MHTi-PAR20-SC-9E-3K-35	9W	900

ORDERING INFO: Sample Code - MHTi-PAR20-SC

Series	Size & Wattage	Color Temperatures	Distributions	Options
MHTi-PAR20-SC				
MHTi-PAR20-SC	9E - 9W	27K - 2700K 3K - 3000K 35K - 3500K 4K - 4000K 5K - 5000K	35 - 35° 50 - 50° 65 - 65°	(Blank) - Standard Square Trim in White Other Trim and Colors are Available EM - Emergency Battery Backup