

mhtlighting

illuminating PoE technology

MHTi-DL-SC




LED ROUND DOWN LIGHT Series

The inspeXtor Platform is a PoE Lighting Management System providing Building Automation and Data Collection PoE Systems are Safe and Efficient Low Voltage Platform

FEATURES

- LED Aluminum Round Down Light With Non-Integrated Sensor and PoE Driver Node

GENERAL INFORMATION

Applications	Airports, Corporate Campuses, Data Centers, Retail, and Healthcare Facilities
Warranty	5-Year Warranty
Construction	Die-cast Aluminum Wet Rated Housing with Stainless Steel Clips Lens: White Polycarbonate
Certifications	  

PRODUCT DATA

Electrical	Non-Integrated PoE Low Voltage Driver Node, Sensor and Emergency Battery Backup.
Mounting	Recessed ceiling mount
Lumens	1,000 - 1,550 Lumens
Max Input Power	9/11/14W
CRI	> 80
CCT	3000K/3500K/4000K/5000K
L70 Lifetime	> 50,000 Hours
Rated Lifespan	> 60,000 Hours
Dimensions	4-inch Model: 5.7" x 1.9" 6-inch Model: 7.7" x 1.9"

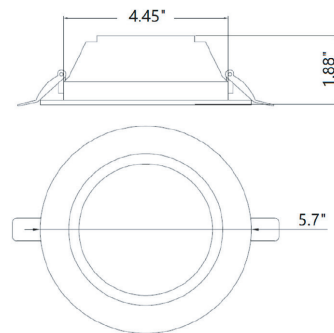
ORDERING INFO: Sample Code - MHTi-DL-SC

Series	Size & Wattage	Color Temperatures	Options
MHTi-DL-SC			
MHTi-DL-SC	4-9E - 4" Round 9W 4-11E - 4" Round 11W 6-11E - 6" Round 11W 6-14E - 6" Round 14W	3K - 3000K 35K - 3500K 4K - 4000K 5K - 5000K	(Blank) - Standard in White Trim EM - Emergency Battery Backup



DIMENSIONS

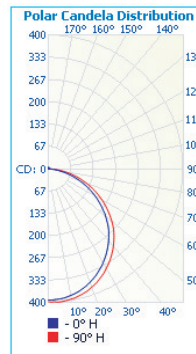
4-inch Model



PHOTOMETRICS

MHTi-DL-SC-4-9E

Luminaire Output: 1,000 lumens, 9 Watts



Center Beam fc	Illuminance at a Distance	
	Beam Width	
1.5ft	174 fc	4.0 ft 4.1 ft
3.0ft	43.4 fc	8.0 ft 8.2 ft
4.5ft	19.3 fc	12.0 ft 12.3 ft
6.0ft	10.9 fc	16.0 ft 16.4 ft
7.5ft	6.95 fc	20.0 ft 20.5 ft
9.0ft	4.82 fc	24.0 ft 24.5 ft

■ Vert. Spread: 106.2°
■ Horiz. Spread: 107.5°

FIXTURE PERFORMANCE

Model	Max Wattage	LUMEN
MHTi-DL-SC-4-9E-35K	9W	1,000
MHTi-DL-SC-4-11E-35K	11W	1,250
MHTi-DL-SC-6-11E-35K	11W	1,250
MHTi-DL-SC-6-14E-35K	14W	1,550