

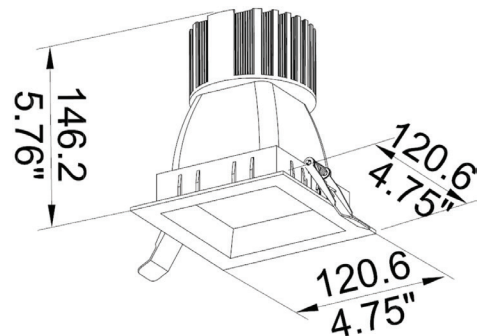


mhtlighting

illuminating PoE technology



DIMENSIONS



MHTi-DL-SC-4-S




LED HIGH POWER DOWNLIGHT Series

The inspeXtor Platform is a PoE Lighting Management System providing Building Automation and Data Collection PoE Systems are Safe and Efficient Low Voltage Platform

FEATURES

- LED Aluminum Square DownLight With Non-Integrated Sensor and PoE Driver Node

GENERAL INFORMATION

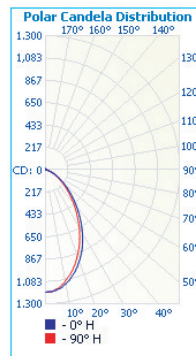
Applications	Airports, Corporate Campuses, Data Centers, Retail, and Healthcare Facilities
Warranty	5-Year Warranty
Construction	Lightweight Die-cast Aluminum Housing with Stainless Steel Spring Clips Lens: White Polycarbonate Beam Angle: 70°
Certifications	  

PRODUCT DATA

Electrical	Non-Integrated PoE Low Voltage Driver Node, Sensor and Emergency Battery Backup.
Mounting	Recessed ceiling mount
Lumens	1,000 - 2,000 Lumens
Max Input Power	10/15/20W
CRI	> 80
CCT	3000K/3500K/4000K/5000K
L70 Lifetime	> 50,000 Hours
Rated Lifespan	> 60,000 Hours
Dimensions	4.75" x 4.75" x 5.76"

PHOTOMETRICS

MHTi-DL-SC-4-S-15E
Luminaire Output: 1,543 lumens, 15 Watts



	Illuminance at a Distance	
	Center Beam fc	Beam Width
1.5ft	529 fc	2.0 ft 2.0 ft
3.0ft	132 fc	4.0 ft 4.0 ft
4.5ft	58.8 fc	6.0 ft 6.1 ft
6.0ft	33.1 fc	8.0 ft 8.1 ft
7.5ft	21.2 fc	10.0 ft 10.1 ft
9.0ft	14.7 fc	12.1 ft 12.1 ft

■ Vert. Spread: 67.6°
■ Horiz. Spread: 67.9°

FIXTURE PERFORMANCE

Model	Max Wattage	LUMEN
MHTi-DL-SC-4-S-10E-35K	10W	1,000
MHTi-DL-SC-4-S-15E-35K	15W	1,500
MHTi-DL-SC-4-S-20E-35K	20W	2,000

ORDERING INFO: Sample Code - MHTi-DL-SC-4-9E-3K-EM

Series	Size & Wattage	Color Temperatures	Options
MHTi-DL-SC			
MHTi-DL-SC	4-S-10E - 4" - Square 10W 4-S-15E - 4" - Square 15W 4-S-20E - 4" - Square 20W	3K - 3000K 35K - 3500K 4K - 4000K 5K - 5000K	(Blank) - Standard in White Trim EM - Emergency Battery Backup