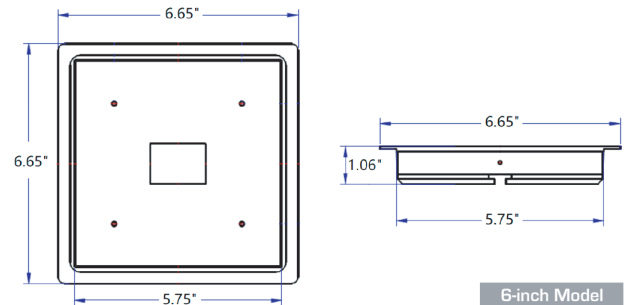


mhtlighting

illuminating PoE technology



DIMENSIONS



MHTi-DL-BARILE-SC

LED SQUARE DOWN LIGHT Series

The inspeXtor Platform is a PoE Lighting Management System providing Building Automation and Data Collection PoE Systems are Safe and Efficient Low Voltage Platform

FEATURES

- LED Aluminum Square Tuneable Down Light With Non-Integrated Sensor and PoE Driver Node

GENERAL INFORMATION

Applications: Airports, Corporate, Campuses, Data Centers, Retail, and Healthcare Facilities

Warranty: 5-Year Warranty

Construction: Die-cast Aluminum Housing with Spring Clips
Lens: Frosted Polycarbonate **Beam Angle: 110°**

Certifications



PRODUCT DATA

Electrical: Non-Integrated PoE Low Voltage Driver Node, Sensor and Emergency Battery Backup.

Mounting: Flush mount

Lumens: 1,000 - 1,900 Lumens

Max Input Power: 9/11/14/17W

CRI: > 80

CCT: 3000K/3500K/4000K/5000K/Tunable (2700K to 5700K)

L70 Lifetime: > 50,000 Hours

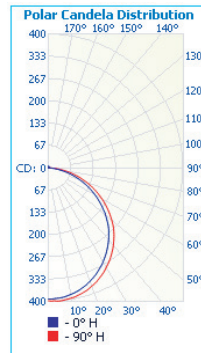
Rated Lifespan: > 60,000 Hours

Dimensions: 4-inch Model: 4.7" x 4.7" x 1.1"
6-inch Model: 6.7" x 6.7" x 1.1"

PHOTOMETRICS

MHTi-DL-BARILE-SC-4-9E

Luminaire Output: 1,000 Lumens, 9 Watts



Center Beam fc	Beam Width	
	Vertical	Horizontal
1.5ft	174 fc	4.0 ft 4.1 ft
3.0ft	43.4 fc	8.0 ft 8.2 ft
4.5ft	19.3 fc	12.0 ft 12.3 ft
6.0ft	10.9 fc	16.0 ft 16.4 ft
7.5ft	6.95 fc	20.0 ft 20.5 ft
9.0ft	4.82 fc	24.0 ft 24.5 ft

■ Vert. Spread: 106.2°
■ Horiz. Spread: 107.5°

FIXTURE PERFORMANCE

Model	Max Wattage	LUMEN
MHTi-DL-BARILE-SC-4-9E	9W	1,000
MHTi-DL-BARILE-SC-4-11E	11W	1,250
MHTi-DL-BARILE-SC-6-14E	14W	1,550
MHTi-DL-BARILE-SC-6-17E	17W	1,900

ORDERING INFO: Sample Code - MHTi-DL-BARILE-SC-4-9E-27K-EM

Series	Size & Wattage	Color Temperatures	Options
MHTi-DL-BARILE-SC			
MHTi-DL-BARILE-SC	4-9E - 4" - Square 9W 4-11E - 4" - Square 11W 6-14E - 6" - Square 14W 6-17E - 6" - Square 17W	27K - 2700K 3K - 3000K 35K - 3500K 4K - 4000K 5K - 5000K AT - 2700K to 5700K	(Blank) - Standard in White Trim EM - Emergency Battery Backup