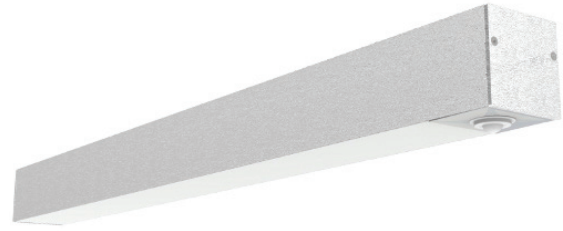
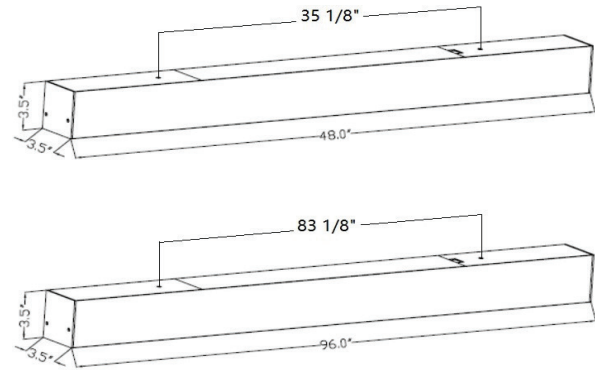


mhtlighting

illuminating PoE technology



DIMENSIONS



MHTi-CUBE-SC

LED LINEAR SUSPENDED Series

The inspeXtor Platform is a PoE Lighting Management System providing Building Automation and Data Collection PoE Systems are Safe and Efficient Low Voltage Platform

FEATURES

- Linear Suspended LED Fixture Complete with Integrated Sensor

GENERAL INFORMATION

Applications Commercial, Hospitals and Health Care, Residential, Education & Industrial

Warranty 10-Year Warranty

Construction Extruded Brushed Aluminum Housing
Reflector: Frosted White Acrylic, Low Glare Diffuser

Certifications



PRODUCT DATA

Electrical Integrated PoE Low Voltage Driver Node.
Optional Integrated Sensor and Emergency Battery Backup.

Mounting Standard 3FT Aircraft Cable for Suspended Mount

Lumens 2,800 - 5,600 Lumens

Max Input Power 28W/48W

CRI > 80

CCT 3000K/3500K/4000K/5000K/Tunable (2700K to 5700K)

L70 Lifetime > 75,000 Hours

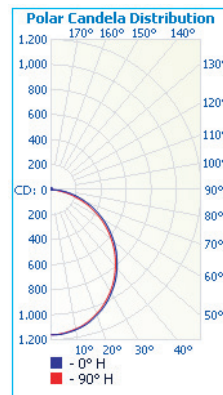
Rated Lifespan > 100,000 Hours

Dimensions CUBE-SC-4: 48" x 3.5" x 3.5"
CUBE-SC-8: 96" x 3.5" x 3.5"

PHOTOMETRICS

MHTi-CUBE-SC-4-28E

Luminaire Output: 3,254 lumens, 28 Watts



Distance	Illuminance at a Distance	
	Center Beam fc	Beam Width
1.5ft	517 fc	4.1 ft x 4.1 ft
3.0ft	129 fc	8.2 ft x 8.3 ft
4.5ft	57.5 fc	12.3 ft x 12.4 ft
6.0ft	32.3 fc	16.4 ft x 16.5 ft
7.5ft	20.7 fc	20.5 ft x 20.7 ft
9.0ft	14.4 fc	24.5 ft x 24.8 ft

■ Vert. Spread: 107.5°
■ Horiz. Spread: 108.1°

FIXTURE PERFORMANCE

Model	Max Wattage	Lumens
MHTi-CUBE-SC-4-28E-35K	28W	3,200
MHTi-CUBE-SC-8-48E-35K	48W	5,500

ORDERING INFO: Sample Code - MHTi-CUBE-SC-4-28-35K-AC-EM

Series	Size & Wattage	Color Temperatures	Mountings	Options
MHTi-CUBE-SC				
MHTi-CUBE-SC	4-28E - 4FT - 28W 8-48E - 8FT - 48W	3K - 3000K 35K - 3500K 4K - 4000K 5K - 5000K AT - 2700K to 5700K	AC - Suspended Cable (Standard 3FT) PM - 3/8" Threaded Rod Pendant SM - Ceiling Surface Mount WM - Wall Mount (L-Bracket)	(Blank) - Standard Brushed Aluminum EM - Emergency Battery Backup IS - Integrated Sensor