



mhtlighting
illuminating PoE technology

MHTL-FLD

LED FLOOD LIGHT SERIES

FEATURES

- Light Distribution - NEMA Flood 5 X 6
- Fixture Protection Class IP65
- Standard 4kV Surge Protection

GENERAL INFORMATION

Applications Building Exterior / Loading Dock / Security Lighting / Walk Way

Warranty 10-Year Warranty

Construction ADC12 Cast Aluminum Housing (Bronze)
High Performance and Durable Optical Lens

Certifications



PRODUCT DATA

Universal Input Voltage 120 - 277V

Optional Input Voltage 347V/480V

Power Factor > 0.90 @277V

Mounting Multiple Mounting Options

Lumens 13,000 Lumens

Max Input Power 100W

CRI > 70

CCT 4000K/5000K

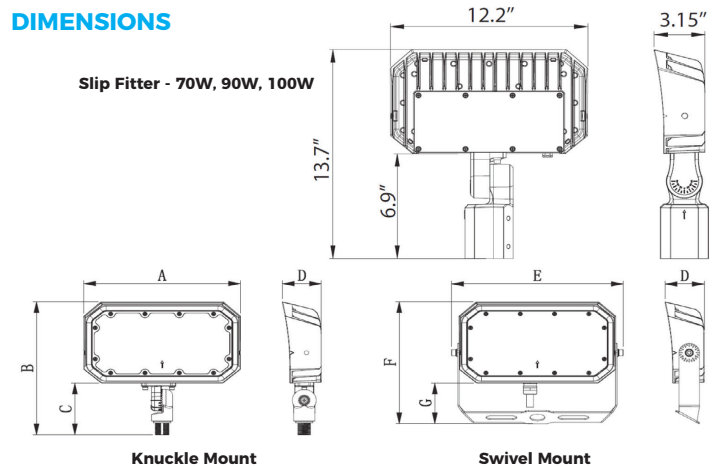
L70 > 100,000 Hours

Rated Lifespan > 100,000 Hours

THD < 20% @277V



DIMENSIONS



ITEM	A	B	C	D	E	F	G
100W 90W 70W	12"	11.7"	4.8"	3.15"	13.0"	10.9"	4.1"
50W	9.0"	8.4"	2.2"	2.3"	9.8"	7.7"	2.6"
30W	7.0"	7.2"	3.3"	2.0"	7.8"	6.5"	2.5"
15W	5.1"	6.1"	3.3"	1.8"	5.7"	4.3"	1.5"

FIXTURE PERFORMANCE

Model	Input Power	Lumens	Dimensions	EPA at 0° (ft ²)
MHTL-FLD-15E-5K-U-SW-TL	15W	2,000	5.7" x 4.3" x 1.8"	0.8
MHTL-FLD-30E-5K-U-SW-TL	30W	4,000	7.8" x 6.5" x 2.0"	0.8
MHTL-FLD-50E-5K-U-SW-TL	50W	6,500	9.8" x 7.7" x 2.3"	0.8
MHTL-FLD-70E-5K-U-SW-TL	70W	9,100	13" x 10.9" x 3.15"	0.8
MHTL-FLD-90E-5K-U-SW-TL	90W	12,000	13" x 10.9" x 3.15"	0.8
MHTL-FLD-100E-5K-U-SW-TL	100W	13,000	13" x 10.9" x 3.15"	0.8

ORDERING INFO: Sample Code - MHTL-FLD-15-4K-U-SF-PC-TL

Series	Wattage	Color Temperatures	Input Voltage	Mounting	Options	TL
MHTL-FLD						TL
MHTL-FLD	15 30 50 70 90 100	4K=4000K 5K=5000K	U=120-277V 480=480V	SF=Slip Fitter SW=Swivel Mount KM=Knuckle Mount	(Blank) - Standard in Bronze PC=Photocell	TL