



MHTL-VOLS

LED TROFFER SERIES

FEATURES

- Optional Emergency Battery Backup
- Standard 4kV Surge Protection - Optional 20kV
- 0-10V Dimming Driver

GENERAL INFORMATION

Applications	Education and Retail / Healthcare / Office
Warranty	10-year Warranty
Construction	0.8mm Die-form Steel Housing (White) Frosted Finished Polycarbonate Lens - Low Glare Highly Reflective White Coating

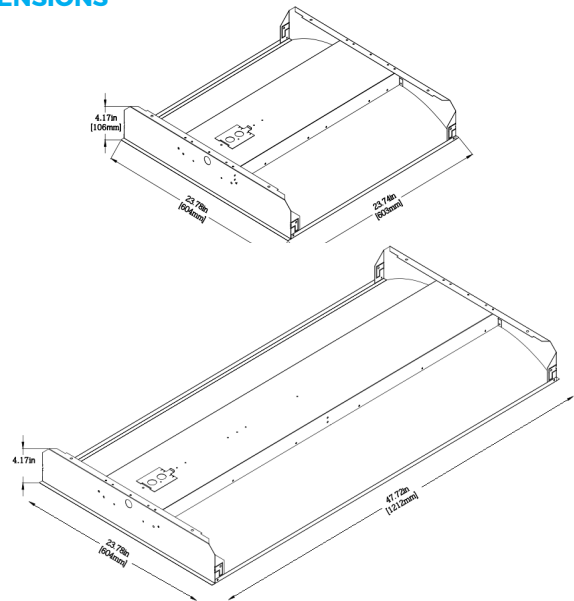
Certifications



PRODUCT DATA

Universal Input Voltage	120 - 277V
Optional Input Voltage	347V/480V
Power Factor	> 0.90 @277V
Mounting	Standard Ceiling Grid Mount
Lumens	6,500
Max Input Power	50W
CRI	> 80 - Optional 90 CRI
CCT	3500K/4000K/5000K
L70	> 100,000 Hours
Rated Lifespan	> 100,000 Hours
THD	< 20% @277V

DIMENSIONS



FIXTURE PERFORMANCE

Model	Input Power	Lumen	Dimensions	DLC Status
MHTL-VOLS-2X2-24E	24W	3,000	23.78" x 23.74" x 4.17"	N/A
MHTL-VOLS-2X2-36E	36W	4,500	23.78" x 23.74" x 4.17"	N/A
MHTL-VOLS-2X2-40E	40W	5,000	23.78" x 23.74" x 4.17"	DLC in 3500K
MHTL-VOLS-2X4-36E	36W	4,600	23.78" x 47.72" x 4.17"	DLC in 3500/4000/5000K
MHTL-VOLS-2X4-40E	40W	5,200	23.78" x 47.72" x 4.17"	N/A
MHTL-VOLS-2X4-50E	50W	6,500	23.78" x 47.72" x 4.17"	DLC in 4000K

ORDERING INFO: Sample Code - MHTL-VOLS-2X2-24E-35K-U-EB

Series	Wattage	Color Temperature	Input Voltage	Options
MHTL-VOLS				
MHTL-VOLS	2X2-24E 2X2-36E 2X2-40E 2X4-36E 2X4-40E 2X4-50E	35K=3500K 4K=4000K 5K=5000K	U=120-277V 347=347V 480=480V	(Blank) - Standard in White EB=Emergency Battery Backup SPD=20kV Surge Protective Device FC=Fixture Control (Lutron FCJ-010) 90CRI=90 CRI