

MHTL-WRP-ECO

LED WRAP FIXTURE SERIES

FEATURES

- 1/2" Knock-out On Each Side and the Back
- Optional Integrated Emergency Battery Backup
- Standard 4kV Surge Protection - Optional 20kV
- 0-10V Dimmable LED Driver

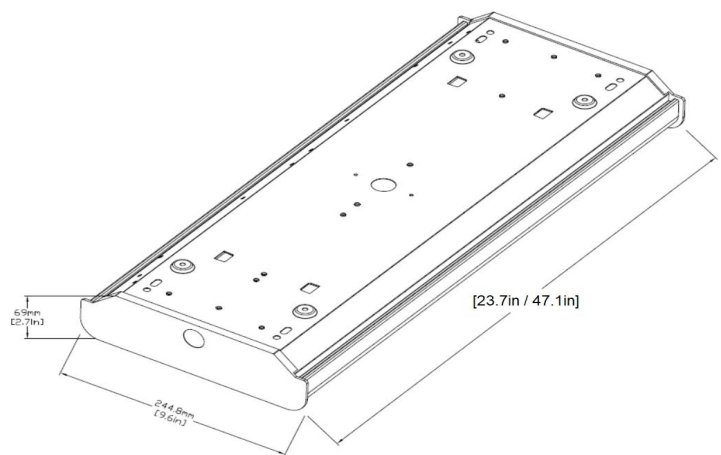
GENERAL INFORMATION

Applications	Education and Retail / Healthcare / Office / Parking Garage / Stairwell and Passageway
Warranty	10-Year Warranty
Construction	0.8mm Die-form Steel Housing (White) Frosted Finish Acrylic Lens Highly Reflective White Coating
Certifications	  

PRODUCT DATA

Universal Input Voltage	120 - 277V
Optional Input Voltage	347V/480V
Power Factor	> 0.90 @277V
Mounting	Standard Surface Mount and Chain Mount Ready
Lumens	8,800 Lumens
Max Input Power	70W
CRI	> 80 - Optional 90 CRI
CCT	3500K/4000K/5000K
L70	> 75,000 Hours
Rated Lifespan	> 100,000 Hours
THD	< 20% @277V

DIMENSIONS



FIXTURE PERFORMANCE

Model	Input Power	Color Temp	Lumens	Dimensions
MHTL-WRP-ECO-2FT-25E-4K-U	25W	4000K	3,000	23.7" x 9.6" x 2.7"
MHTL-WRP-ECO-2FT-35E-4K-U	35W	4000K	4,300	23.7" x 9.6" x 2.7"
MHTL-WRP-ECO-4FT-35E-4K-U	35W	4000K	4,400	47.1" x 9.6" x 2.7"
MHTL-WRP-ECO-4FT-45E-4K-U	45W	4000K	6,000	47.1" x 9.6" x 2.7"
MHTL-WRP-ECO-4FT-70E-4K-U	70W	4000K	8,800	47.1" x 9.6" x 2.7"

ORDERING INFO: Sample Code - MHTL-WRP-ECO-2FT-25E-35K-U-SM-EB

Series	Size & Wattage	Color Temperatures	Input Voltage	Mounting	Options
MHTL-WRP-ECO	E				
MHTL-WRP-ECO	2FT-25 2FT-35 4FT-35 4FT-45 4FT-70	35K=3500K 4K=4000K 5K=5000K	U=120-277V 347=347V 480=480V	SM=Surface CM=Chain Ready PM=3/4" Pendant	(Blank) - Standard in White EB=Emergency Battery Backup 90CRI=90 CRI OS-On/Off=On/Off Motion Sensor OS-Dim=Dimming Motion Sensor SPD=20kV Surge Protective Device