



MHTL-HB-PRM

LED HIGH/LOW BAY SERIES

FEATURES

- High Performance LEDs
- Wide Distribution - 120°
- Available Aluminum Reflector - 90°
- Available Motion Sensor - Attach to Fixture
- IP65 Wet Location Rated
- 0-10V Dimming Driver
- 4kV Surge Protection

GENERAL INFORMATION

Applications	Convention Center, Gymnasium, Manufacturing, Warehouse
Warranty	10-year Warranty
Construction	Die Cast Aluminum Housing and Heat Sink in Black Clear Tempered Glass Lens

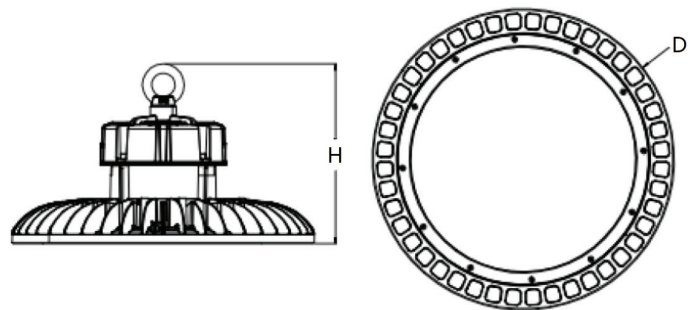
Certifications



PRODUCT DATA

Universal Input Voltage	120 - 277V
Optional Input Voltage	347V or 480V
Power Factor	> 0.90 @277V
Mounting	Standard Ring Hook or Pendant Mount
Lumens	26,000
Max Input Power	200W
CRI	> 80
CCT	4000K/5000K
L70	> 100,000 Hours
Rated Lifespan	>100,000 Hours
THD	< 20% @277V

DIMENSIONS



Standard 1ft Power Cable From the Top Side

Model	D	H	
100W	11.73 (298)	7.32 (186)	
150W	11.73 (298)	7.59 (193)	
200W	14.17 (360)	8.46 (215)	inch (mm)

FIXTURE PERFORMANCE

Model	Input Power	Lm/W	Lumen	Dimensions
MHTL-HB-PRM-100E-4K-U	100W	130	13,000	Ø11.73" x 7.32"
MHTL-HB-PRM-150E-4K-U	150W	130	19,500	Ø11.73" x 7.59"
MHTL-HB-PRM-200E-4K-U	200W	130	26,000	Ø14.17" x 8.46"

ORDERING INFO: Sample Code - MHTL-HB-PRM-100-4K-U-ND-CP

Series	Wattage	Color Temperature	Input Voltage	Diffuser	Options
MHTL-HB-PRM					
MHTL-HB-PRM	100 150 200	4K=4000K 5K=5000K	U=120-277V 347=347V 480=480V	ND=No Diffuser AL=Aluminum 90°	(Blank) - Standard in Black CP=Cord & Plug (Specify Type) OS-On/Off=On/Off Motion Sensor OS-Dim=Dimming Motion Sensor