

INDUCTION GARAGE

MHT-LPCL-XC SERIES

Project _____

Part Number _____

Quantity _____



APPLICATIONS

- Parking Garages
- Gas Stations
- Canopies
- Walkways

FEATURES

- >100,000 Hours Rated Lifespan (IESNA)
- 10-year or 60,000 Hours Warranty
- Die Cast Aluminum Housing (Dark Bronze)
- Prismatic Polycarbonate Lens
- Aluminum Mirror Reflector
- Optional Mounting Plate or Pendant Mount Adapter
- Available with Integrated Microwave Occupancy Sensor
- Ambient Temperature -20 to 120 °F



LAMP/BALLAST

- 120 - 277V Universal Input Voltage
- Optional 347V or 480V
- Available 0-10V Dimming - Minimum 40%
- Power Factor > 0.95, THD < 10%
- Instant-On, Flicker Free, Minimum Light Loss
- Color Temperature 3000K/4000K/5000K
- CRI > 85 - Excellent Color Rendition
- Surge Protection

Model	Rated Wattage	Input Wattage	Replaces	Lamp Lm/W	Lamp Lumen	Dimensions	Lens
MHT-LPCL-XC-40E	40W	42W	MH - 70W HPS - 70W	80-82	3,240	12.5" x 12.5"	PC
MHT-LPCL-XC-70E	70W	74W	MH - 100W HPS - 150W	80-82	5,600		



Manufactured in the USA

Toll Free **888-511-7780** • www.mhtlighting.com



INDUCTION GARAGE

MHT-LPCL-XC SERIES

Project _____

Part Number _____

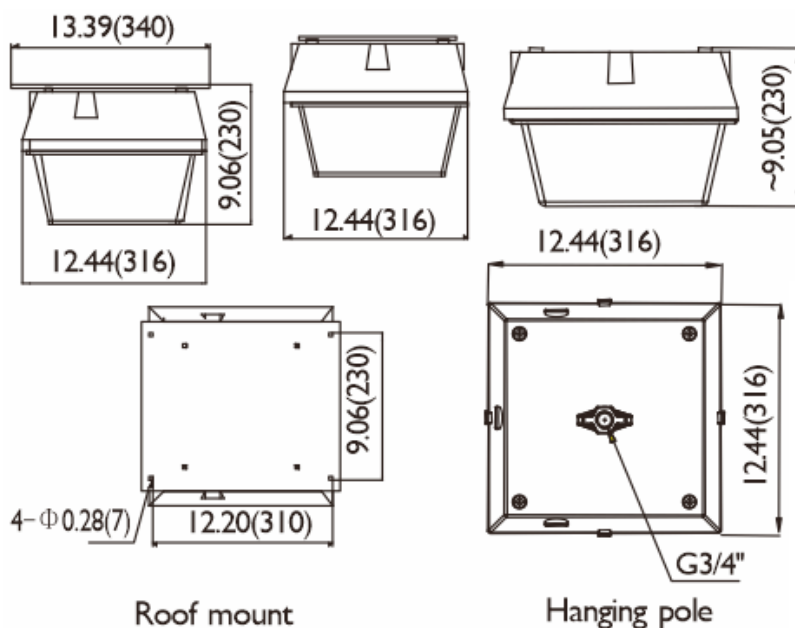
Quantity _____

ORDERING CODES

MHT-LPCL-XC E

<u>Wattage:</u>	<u>Color Temp:</u>	<u>Input Voltage:</u>	<u>Mounting:</u>	<u>Option:</u>
40, 70	3K=3000K 4K=4000K 5K=5000K	U=120~277V 347=208~347V 480=480V	MP=Mounting Plate PM=Pendant Mount (1/2" or 3/4")	(Standard in Dark Bronze) PC=Button Type Photocell DB=0-10V Dimming Ballast (Min. 40%) SPD=Surge Protective Device OS-Dim=Dimming Base On Motion OS-ON/OFF=ON/OFF Base On Motion

DIMENSIONS



- Standard Surface Mount
- Optional Mounting Plate Bolt Patterns: 12.2" x 9.06"; Hole Size: 1/4"
- Optional 3/4" or 1/2" Pendant Mount Adapter

- MHT Products are UL Listed and Assembled in ISO9000/1 Certified US Facility
- Every Product is Quality Tested and Inspected Prior to Shipment
- MHT Lighting Offers a 10-year or 60,000 Hours Warranty (See Warranty Terms and Conditions)
- Proudly Manufactured in the USA
- For Product IES Files Please Contact Your Local Rep

MHT Plant Operations

1961 Richmond Terrace
Staten Island, New York 10302
Tel: (718) 524-4370
Fax: (718) 524-4390

West Coast Operations

2285 Michael Faraday Dr. Suite 10
San Diego, California 92154
Tel: (619) 661-0600

www.mhtlighting.com

888-511-7780

MHT Confidential
Rev Date: December 2017