

# INDUCTION DECORATIVE POST TOP MHT-COL-XC & MHT-ALT-XC SERIES

Project \_\_\_\_\_

Part Number \_\_\_\_\_

Quantity \_\_\_\_\_



## APPLICATIONS

- Parks
- Walkways
- Historic Areas
- Decorative



## FEATURES

- >100,000 Hours Rated Lifespan (IESNA)
- 10-year or 60,000 Hours Warranty for "ALT"
- 5-year or 30,000 Hours Warranty for "COL"
- Post-top Tenon Mounting
- Type V Distribution
- Fits O.D. 2.75" to 3" Round Pole
- Ambient Temperature -20 to 120 °F



Colonial — "COL" Architectural — "ALT"

## LAMP/BALLAST

- 120 - 277V Universal Input Voltage
- Optional 347V or 480V
- Available 0-10V Dimming - Minimum 40%
- Power Factor > 0.95, THD < 10%
- Spherical/Round Tubular Lamp Design
- Instant-On, Flicker Free, Minimum Light Loss
- Color Temperature 3000K/4000K/5000K
- CRI > 85 - Excellent Color Rendition

Model	Rated Wattage	Input Wattage	Replaces	Lamp Lm/W	Lamp Lumen	EPA at 0° (ft²)	Lens
MHT-COL-XC-35E	35W	37W	MH - 70W HPS - 70W	80-82	2,800	3.41	Frosted/ Clear Glass or PC
MHT-COL-XC-55E	55W	58W	MH - 100W HPS - 100W	80-82	4,400	3.41	
MHT-COL-XC-85E	85W	89W	MH - 150W HPS - 150W	82-85	7,140	3.41	
MHT-ALT-XC-40E	40W	42W	MH - 70W HPS - 70W	80-82	3,200	3.62	Prismatic Acrylic
MHT-ALT-XC-70E	70W	74W	MH - 100W HPS - 150W	80-82	5,600	3.62	
MHT-ALT-XC-80E	80W	84W	MH - 150W HPS - 150W	82-85	6,720	3.62	



Manufactured in the USA

Toll Free **888-511-7780** • [www.mhtlighting.com](http://www.mhtlighting.com)



# INDUCTION DECORATIVE POST TOP MHT-COL-XC & MHT-ALT-XC SERIES

Project \_\_\_\_\_

Part Number \_\_\_\_\_

Quantity \_\_\_\_\_

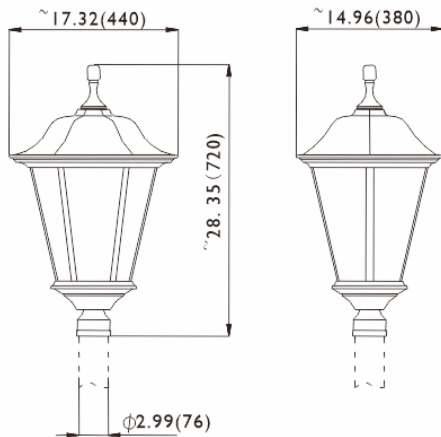
## ORDERING CODES

MHT- \_\_\_\_\_ E \_\_\_\_\_ \_\_\_\_\_ \_\_\_\_\_ \_\_\_\_\_

<u>Model:</u>	<u>Wattage:</u>	<u>Color Temp:</u>	<u>Input Voltage:</u>	<u>Option:</u>
COL-XC	35, 55, 85 (COL)	3K=3000K	U=120~277V	(COL Standard Color in Dark Grey)
ALT-XC	40, 70, 80 (ALT)	4K=4000K	347=208~347V	ALT Standard Color in Light Grey)
		5K=5000K	480=480V	FG=Frosted Finish Glass Lens (COL)
				FPC=Frosted Finish PC Lens (COL)
				CG=Clear Glass Lens (COL)
				CPC=Clear PC Lens (COL)
				DB=0-10V Dimming Ballast (Minimum 40%)
				SPD=Surge Protective Device

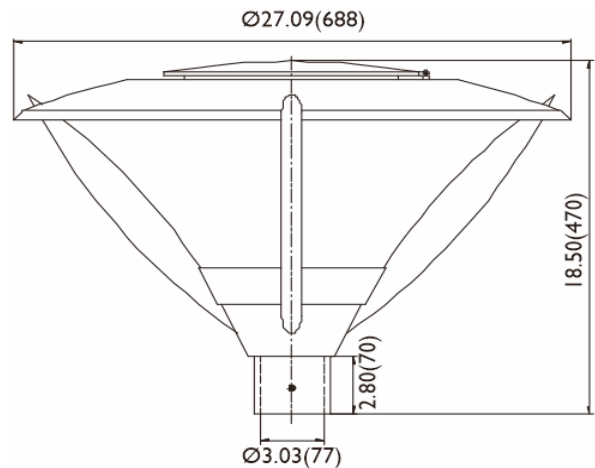
## DIMENSIONS

MHT-COL-XC



Note: Outer dia of pole  $\leq \Phi 2.99(76)$   
Inner dia of pole  $\geq \Phi 2.76(70)$

MHT-ALT-XC



- Standard Remote Slim Type Electronic Ballast
- Fits O.D. 2.75" to 3" Round Pole

- Standard 6" Cord from Bottom (Specify for Other Length)
- Fits O.D. 2.75" to 3" Round Pole

- MHT Products are UL Listed and Assembled in ISO9000/1 Certified US Facility
- Every Product is Quality Tested and Inspected Prior to Shipment
- MHT Lighting Offers a 5/10-year or 30,000/60,000 Hours Warranty (See Warranty Terms and Conditions)
- Proudly Manufactured in the USA
- For Product IES Files Please Contact Your Local Rep

### MHT Plant Operations

1961 Richmond Terrace  
Staten Island, New York 10302  
Tel: (718) 524-4370  
Fax: (718) 524-4390

### West Coast Operations

2285 Michael Faraday Dr. Suite 10  
San Diego, California 92154  
Tel: (619) 661-0600

[www.mhtlighting.com](http://www.mhtlighting.com)

**888-511-7780**

MHT Confidential  
Rev Date: December 2017