

# ALUMINUM HIGH/LOW BAY MHT-HBa-XC & MHT-LBa-XC SERIES

Project \_\_\_\_\_

Part Number \_\_\_\_\_

Quantity \_\_\_\_\_

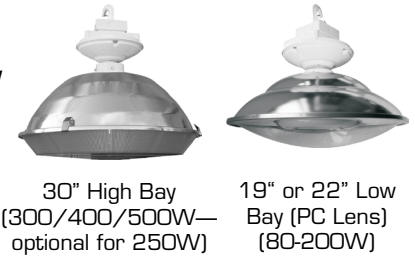


## APPLICATIONS

- Agriculture, Food Service
- Convention Center
- Gymnasium
- Manufacturing
- Warehouse

## FEATURES

- >100,000 Hours Lifespan (per IESNA), 10-year or 60,000 Hours Warranty
- Die Cast Aluminum Gear Box (White)
- UV Stabilized Prismatic Acrylic, Clear PC or Tempered Glass Lens
- Smooth (LBa), Faceted (HBa) Aluminum Reflector
- Anodized Aluminum Reflector (Optional Nanoflex Coating)
- Hook for Easy Installation or 3/4" Pendant Installation (Optional 1/2")
- Ambient Temperature -20 to 120 °F (Consistent Extremes Do Not Apply)
- Available in High Temperature Rated For Ambient Temperature up to 150 °F



Additional box on top for  
lighting Controls

## LAMP/BALLAST

- 120 - 277V Universal Input Voltage
- Optional 347V or 480V
- Available 0-10V Dimming - Minimum 40%
- Instant-On, Flicker Free, Minimum Light Loss
- Power Factor > 0.95, THD < 10%, CRI >85
- Color Temperature 3000K/4000K/5000K

Model	Rated Wattage	Input Wattage	Replaces	Lamp Lm/W	Lamp Lumen	Size	Lens
MHT-LBa-XC-80E	80W	84W	MH - 150W HPS - 150W	82-85	6,750	19"	Prismatic Acrylic, Clear Drop PC, Clear Flat PC, Clear Flat Glass
MHT-LBa-XC-100E	100W	105W	MH - 175W HPS - 200W	82-85	8,400	19"	
MHT-LBa-XC/HBa-XC-120E	120W	126W	MH - 200W HPS - 200W	82-85	10,080	22"	
MHT-LBa-XC/HBa-XC-150E	150W	158W	MH - 250W HPS - 310W	82-85	12,600	22"	
MHT-LBa-XC/HBa-XC-200E	200W	210W	MH - 400W HPS - 400W	82-85	16,800	22"	
MHT-HBa-XC-250E	250W	263W	MH - 400W HPS - 400W	88-90	22,250	22"/30"	
MHT-HBa-XC-300E	300W	315W	MH - 450W HPS - 600W	88-90	26,700	30"	
MHT-HBa-XC-400E	400W	420W	MH - 750W HPS - 750W	88-90	36,000	30"	
MHT-HBa-XC-500E	500W	525W	MH - 750W HPS - 1000W	88-90	45,000	30"	



Manufactured in the USA

Toll Free **888-511-7780** • [www.mhtlighting.com](http://www.mhtlighting.com)



# ALUMINUM HIGH/LOW BAY

## MHT-HBa-XC & MHT-LBa-XC SERIES

Project \_\_\_\_\_

Part Number \_\_\_\_\_

Quantity \_\_\_\_\_

### ORDERING CODES

MHT- \_\_\_\_\_ E \_\_\_\_\_ \_\_\_\_\_ \_\_\_\_\_ \_\_\_\_\_ \_\_\_\_\_

**HBa-XC = High Bay**  
**LBa-XC = Low Bay**

**Wattage:**  
80, 100,  
120, 150,  
200, 250,  
300, 400,  
500

**Color Temp:**  
3K=3000K  
4K=4000K  
5K=5000K

**Input Voltage:**  
U=120~277V  
347=208~347V  
480=480V

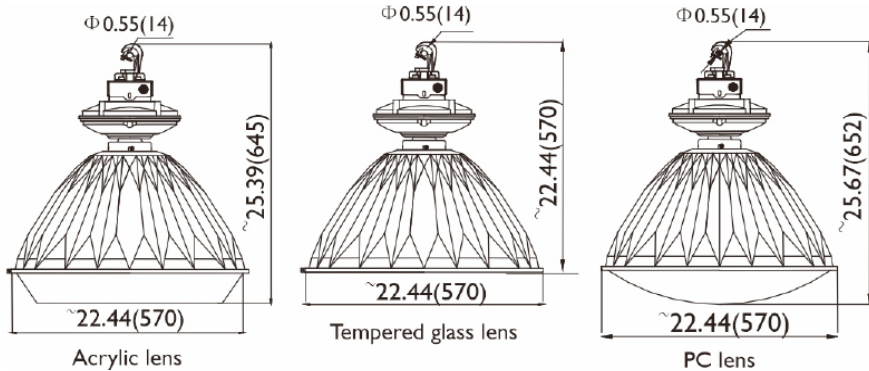
**Lens:**  
PL=PC  
AC=Acrylic

**Option:**

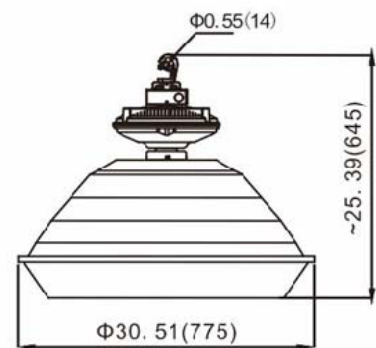
(Standard in White Top)  
CP=Cord & Plug (Specify Cord & Plug)  
WG=Wire Guard  
AC=Aircraft Cable  
DB=0-10V Dimming Ballast (Minimum 40%)  
OS-Dim=Dimming Base On Motion  
OS-ON/OFF=ON/OFF Base On Motion  
NF=Nanoflex Reflector  
SPD=Surge Protective Device

### DIMENSIONS

**HBa-XC (150-250W)**

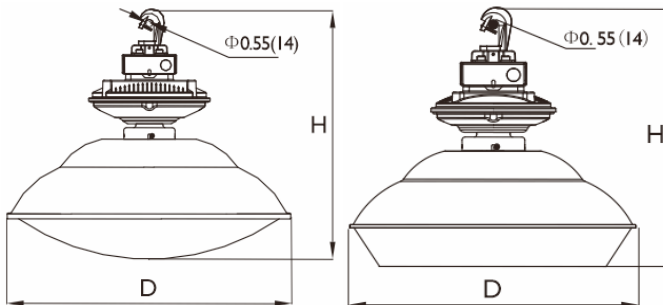


**HBa-XC (250-500W)**



**LBa-XC (PC Lens)**

**LBa-XC (Acrylic Lens)**



Model	inch (mm)		
	D	H (Acrylic Lens)	H (PC Lens)
MHT-LBa-XC-80E	Ø18.9(480)	16.93(430)	16.93(430)
MHT-LBa-XC-100E			
MHT-LBa-XC-120E	Ø22.5(570)	19.69(500)	20.08(510)
MHT-LBa-XC-150E			
MHT-LBa-XC-200E			

- MHT Products are UL Listed and Assembled in ISO9000/1 Certified US Facility
- Every Product is Quality Tested and Inspected Prior to Shipment
- MHT Lighting Offers a 10-year or 60,000 Hours Warranty (See Warranty Terms and Conditions)
- Proudly Manufactured in the USA
- For Product IES Files Please Contact Your Local Rep

**MHT Plant Operations**  
1961 Richmond Terrace  
Staten Island, New York 10302  
Tel: (718) 524-4370  
Fax: (718) 524-4390

**West Coast Operations**  
2285 Michael Faraday Dr. Suite 10  
San Diego, California 92154  
Tel: (619) 661-0600

[www.mhtlighting.com](http://www.mhtlighting.com)  
**888-511-7780**

MHT Confidential  
Rev Date: December 2017