

WALLPACK RETRO SOLUTION

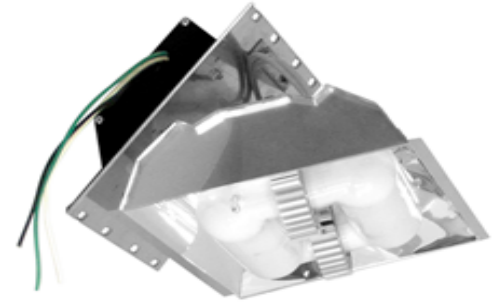
MHT-RS-WP SERIES

Project _____
 Part Number _____
 Quantity _____



APPLICATIONS

- 250-400W HID Wallpack Fixtures



FEATURES

- >100,000 Hours Rated Lifespan (IESNA)
- 5-year Warranty
- One-piece Design
- Aluminum Mirror Finish Reflector
- 10 Minute Installation - Saves Both Installation and Energy Costs
- Ambient Temperature -20 to 120 °F (Consistent Extremes Do Not Apply)

LAMP/BALLAST

- 120 - 277V Universal Input Voltage
- Optional 347V or 480V
- 0-10V Dimming Ballast - Minimum 40%
- Power Factor > 0.95, THD < 10%
- Instant-On, Flicker Free, Minimum Light Loss
- Color Temperature 3000K/4000K/5000K
- CRI > 85 - Excellent Color Rendition
- 40-80W Square Tubular Induction Lamp

Model	Rated Wattage	Input Wattage	Replaces	Lm/W	Lumen	Dimensions
MHT-RS-WP-40E	40W	42W	MH - 70W HPS - 100W	80-82	3,240	15" x 8" x 9.2"
MHT-RS-WP-55E	55W	58W	MH - 100W HPS - 100W	80-82	4,455	
MHT-RS-WP-70E	70W	74W	MH - 100W HPS - 150W	80-82	5,600	
MHT-RS-WP-80E	80W	84W	MH - 150W HPS - 150W	82-85	6,720	

- Minimum Ballast Compartment Area: 16" x 8", H: 3"
- Minimum Lamp Compartment Area: 16" x 8", H: 7"



Manufactured in the USA

Toll Free **888-511-7780** • www.mhtlighting.com



WALLPACK RETRO SOLUTION

MHT-RS-WP SERIES

Project _____

Part Number _____

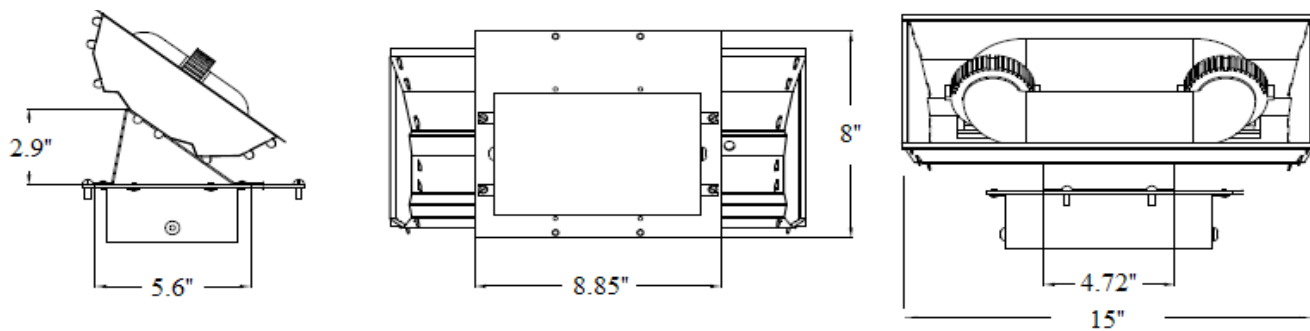
Quantity _____

ORDERING CODES

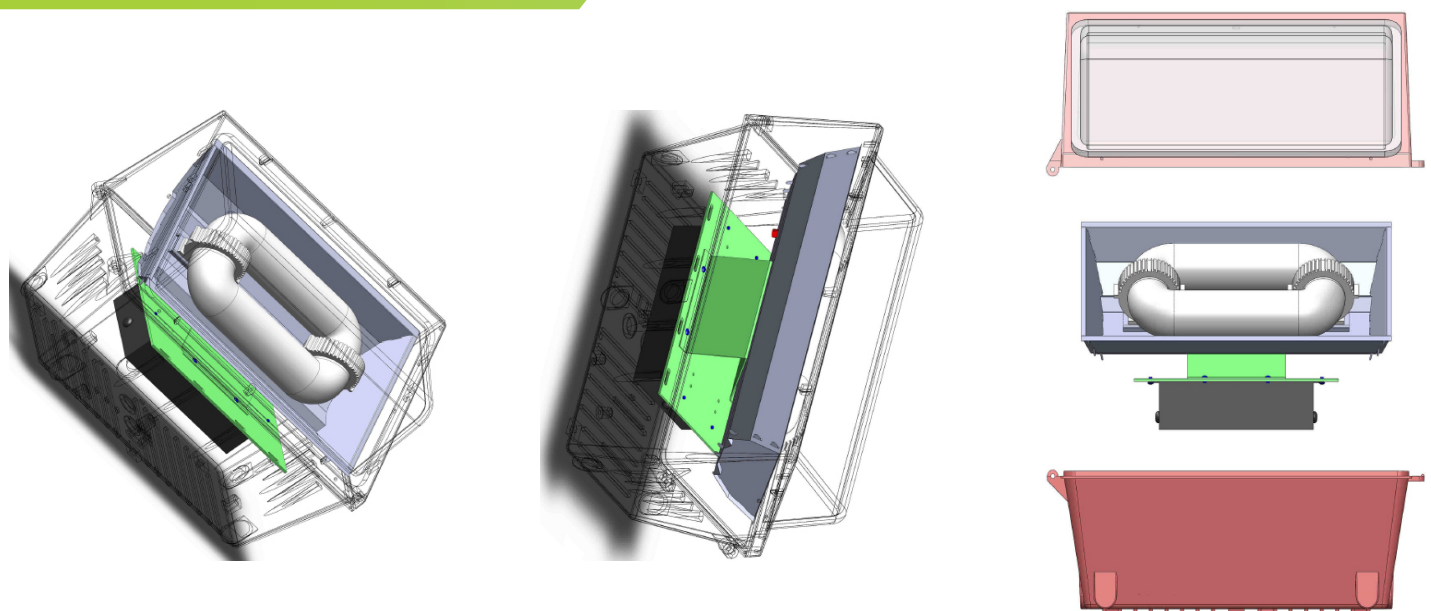
MHT-RS-WP - E - - -

<u>Wattage:</u>	<u>Color Temp:</u>	<u>Input Voltage:</u>	<u>Option:</u>
40, 55, 70, 80	3K=3000K 4K=4000K 5K=5000K	U=120~277V 347=208~347V 480=480V	DB=0-10V Dimming Ballast (Minimum 40%) SPD=Surge Protection Device CMP=Custom Mounting Plate (Specify Size and Details)

DIMENSIONS



INSTALLED PICTURES



- MHT Products are UL Recognized and Assembled in ISO9000/1 Certified US Facility
- Every Product is Quality Tested and Inspected Prior to Shipment
- MHT Lighting Offers a 5-year Warranty (Please Call for Warranty Terms and Conditions)
- Proudly Manufactured in the USA

MHT Plant Operations
 1961 Richmond Terrace
 Staten Island, New York 10302
 Tel: (718) 524-4370
 Fax: (718) 524-4390

West Coast Operations
 2285 Michael Faraday Dr. Suite 10
 San Diego, California 92154
 Tel: (619) 661-0600

www.mhtlighting.com
888-511-7780

MHT Confidential
 Rev Date: December 2017