

# GARAGE RETRO SOLUTION

## MHT-RS-RCLII SERIES

Project \_\_\_\_\_

Part Number \_\_\_\_\_

Quantity \_\_\_\_\_



### APPLICATIONS

- Fits Kim Lighting, PGL4 Type Fixtures



### FEATURES

- >100,000 Hours Rated Lifespan (IESNA)
- 5-year Warranty
- 10 Minute Installation - Saves Both Installation and Energy Costs
- One-piece Design (with Lamp, Ballast, and White Powder Coated Reflector)
- Ambient Temperature -20 to 120 °F (Consistent Extremes Do Not Apply)

### LAMP/BALLAST

- 120 - 277V Universal Input Voltage
- Optional 347V or 480V
- 0-10V Dimming Ballast - Minimum 40%
- Power Factor > 0.95, THD < 10%
- Instant-On, Flicker Free, Minimum Light Loss
- Color Temperature 3000K/4000K/5000K
- CRI > 85 - Excellent Color Rendition
- 40-80W Round Tubular Lamp

Model	Rated Wattage	Input Wattage	Replaces	Lm/W	Lumen	Dimensions
MHT-RS-RCLII-40E	40W	42W	MH - 70W HPS - 100W	80-82	3,240	Ø11" x 7.7"
MHT-RS-RCLII-55E	55W	58W	MH - 100W HPS - 100W	80-82	4,455	
MHT-RS-RCLII-70E	70W	74W	MH - 100W HPS - 150W	82-85	5,880	
MHT-RS-RCLII-80E	80W	84W	MH - 150W HPS - 150W	82-85	6,720	

- Minimum Compartment Area: 12", H: 8"



Manufactured in the USA

Toll Free **888-511-7780** • [www.mhtlighting.com](http://www.mhtlighting.com)



# GARAGE RETRO SOLUTION

## MHT-RS-RCLII SERIES

Project \_\_\_\_\_

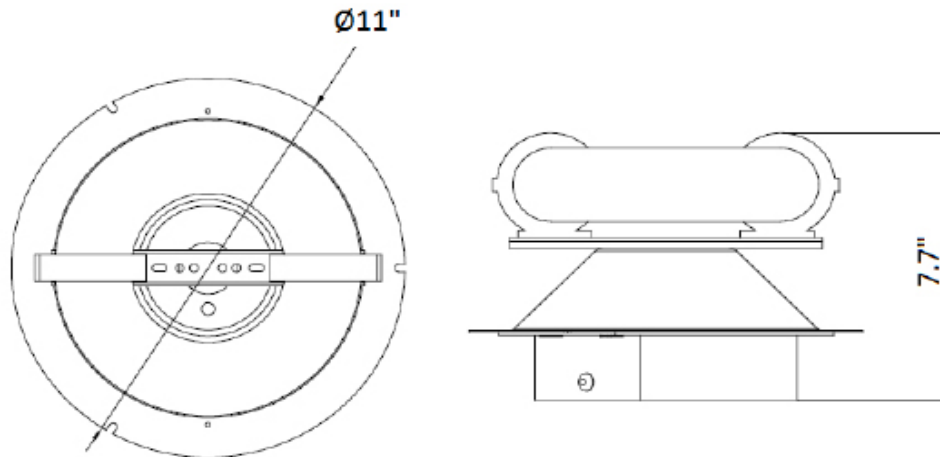
Part Number \_\_\_\_\_

Quantity \_\_\_\_\_

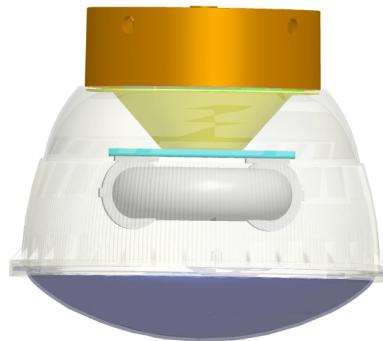
### ORDERING CODES

MHT-RS-RCLII	_____E	_____	_____	_____
<u>Wattage:</u>	<u>Color Temp:</u>	<u>Input Voltage:</u>	<u>Option:</u>	
40, 55, 70, 80	3K=3000K 4K=4000K 5K=5000K	U=120~277V 347=208~347V 480=480V	DB=0-10V Dimming Ballast (Minimum 40%) SPD=Surge Protective Device CMP=Custom Mounting Plate (Specify Size and Details)	

### DIMENSIONS



### INSTALLED PICTURE



- MHT Products are UL Recognized and Assembled in ISO9000/1 Certified US Facility
- Every Product is Quality Tested and Inspected Prior to Shipment
- MHT Lighting Offers a 5-year Warranty (Please Call for Warranty Terms and Conditions)
- Proudly Manufactured in the USA

#### MHT Plant Operations

1961 Richmond Terrace  
Staten Island, New York 10302  
Tel: (718) 524-4370  
Fax: (718) 524-4390

#### West Coast Operations

2285 Michael Faraday Dr. Suite 10  
San Diego, California 92154  
Tel: (619) 661-0600

[www.mhtlighting.com](http://www.mhtlighting.com)

**888-511-7780**

MHT Confidential  
Rev Date: December 2017