

# SPHERICAL LAMP AND BALLAST KIT

## MHT-VL SERIES

Project \_\_\_\_\_

Part Number \_\_\_\_\_

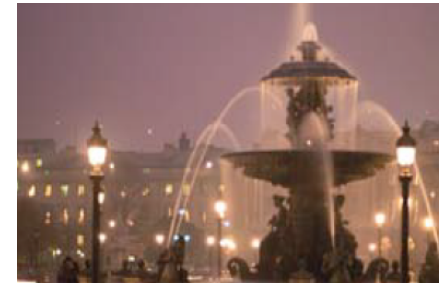
Quantity \_\_\_\_\_



## APPLICATIONS

### RETROFITS

- Acorns
- Decorative Fixtures
- Bollards
- Poletop Fixtures



## FEATURES

- >60,000 Hours Rated Lifespan (IESNA)
- Square Profiled Aluminum Ballast Housing
- Optional IP65 Die Cast Aluminum Ballast
- Optional E26 (35W-55W) or E39 (35W-55W) Base
- Includes Heat Sink and Basic Mounting Hardware
- 35W-100W Spherical Internal Coupling Design
- 3-year or 15,000 Hours Warranty (Pending Fixture Approval from MHT)
- Ambient Temperature -20 to 120 °F (Consistent Extremes Do Not Apply)



## LAMP/BALLAST

- 120 - 277V Universal Input Voltage
- Optional 347V or 480V
- 0-10V Dimming Ballast - Minimum 40%
- Instant-On, Flicker Free, Minimum Light Loss
- Power Factor > 0.95, THD < 10%
- CCT 3000K/4000K/5000K
- CRI > 85 - Excellent Color Rendition
- Surge Protection

Model	Rated Wattage	Input Wattage	Replaces	Lm/W	Lumen	Input Voltage	Input Current
MHT-VL-35E	35W	37W	MH - 70W HPS - 70W	80-82	2,800	120 - 277V	0.31 - 0.13A
MHT-VL-40E	40W	42W	MH - 70W HPS - 70W	80-82	3,200		0.40 - 0.18A
MHT-VL-55E	55W	58W	MH - 70W HPS - 100W	80-82	4,400		0.48 - 0.21A
MHT-VL-85E	85W	89W	MH - 150W HPS - 150W	82-85	7,140		0.74 - 0.32A
MHT-VL-100E	100W	105W	MH - 175W HPS - 200W	82-85	8,400		0.88 - 0.38A



Manufactured in the USA

Toll Free **888-511-7780** • [www.mhtlighting.com](http://www.mhtlighting.com)



# SPHERICAL LAMP AND BALLAST KIT

## MHT-VL SERIES

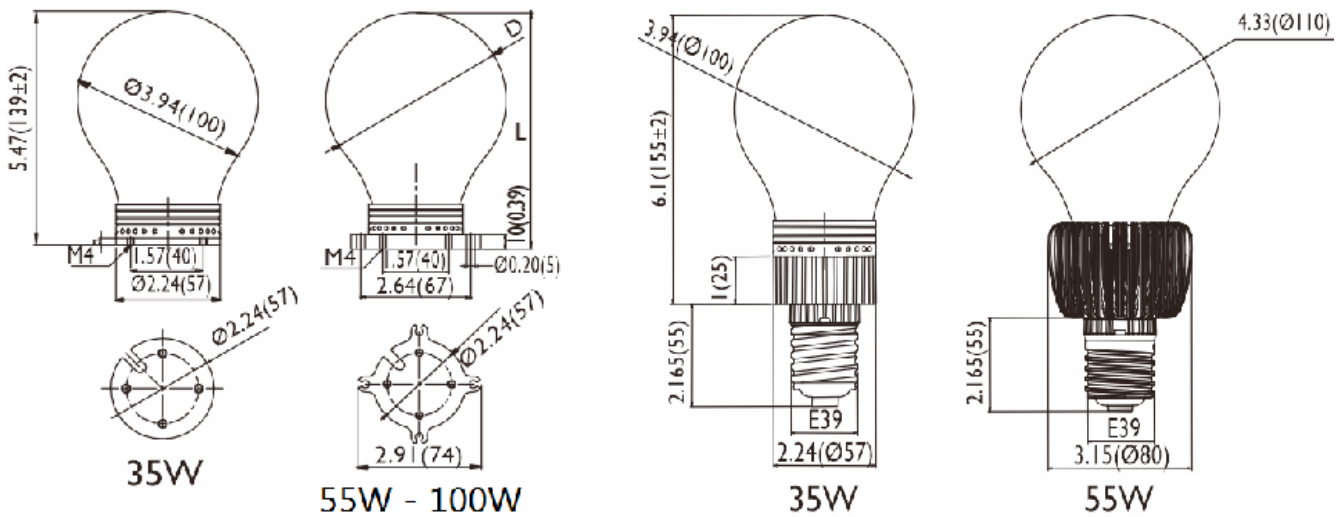
Project \_\_\_\_\_  
 Part Number \_\_\_\_\_  
 Quantity \_\_\_\_\_

### ORDERING CODES

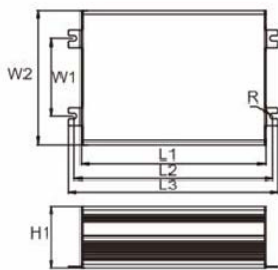
<b>MHT-VL</b>	<b>E</b>					
<b>Wattage:</b>	<b>Color Temp:</b>	<b>Input Voltage:</b>	<b>Ballast Housing:</b>	<b>Base (35-55W):</b>	<b>Option:</b>	
35, 40, 55, 85, 100	3K=3000K 4K=4000K 5K=5000K	U=120~277V 347=347V 480=480V	PA=Profiled Aluminum DA=Die Cast Aluminum	E26=Medium E39=Mogul	DB=0-10V Dimming Ballast (Minimum 40%) CMB=Custom Mounting Bracket (Specify Size and Details)	

### DIMENSIONS

#### BULB DIMENSIONS



#### BALLAST DIMENSIONS



Electronic Ballast (Profile aluminum)

<i>inch (mm)</i>	<b>L1</b>	<b>L3</b>	<b>W2</b>	<b>H1</b>
<b>MHT-VL-35E</b>	5.2 (132)	6.0 (152)	3.7 (94)	1.6 (41)
<b>MHT-VL-40E</b>	5.2 (132)	6.0 (152)	3.7 (94)	1.6 (41)
<b>MHT-VL-55E</b>	5.2 (132)	6.0 (152)	3.7 (94)	1.6 (41)
<b>MHT-VL-85E</b>	6.2 (158)	7.1 (180)	4.1 (105)	1.9 (48)
<b>MHT-VL-100E</b>	6.2 (158)	7.1 (180)	4.1 (105)	1.9 (48)

- MHT Products are UL Recognized and Assembled in ISO9000/1 Certified US Facility
- Every Product is Quality Tested and Inspected Prior to Shipment
- MHT Lighting Offers a 3-year or 15,000 Hours Warranty (Please See Warranty Terms and Conditions)
- Proudly Manufactured in the USA

#### MHT Plant Operations

1961 Richmond Terrace  
 Staten Island, New York 10302  
 Tel: (718) 524-4370  
 Fax: (718) 524-4390

#### West Coast Operations

2285 Michael Faraday Dr. Suite 10  
 San Diego, California 92154  
 Tel: (619) 661-0600

[www.mhtlighting.com](http://www.mhtlighting.com)

**888-511-7780**

MHT Confidential  
 Rev Date: December 2017