

ROUND TYPE LAMP AND BALLAST KIT

MHT-RT SERIES

Project _____

Part Number _____

Quantity _____



APPLICATIONS

RETROFITS

- Shoebox
- High Bays
- Acorn
- Specialty Fixtures



Optional E39 or E26 Base

FEATURES

- >100,000 Hours Rated Lifespan (IESNA)
- 5-year or 30,000 Hours Warranty (Pending Fixture Approval from MHT)
- Square Profiled or Optional IP65 Die Casted Aluminum Housing
- Optional E26 (40W-100W) or E39 (40W-250W) Base
- Includes Mounting Bracket for Lamp
- Ambient Temperature -20 to 120 °F (Consistent Extremes Do Not Apply)
- Custom Retrofits, Engineered Heat Testing Available

LAMP/BALLAST

- 120 - 277V Universal Input Voltage
- Optional 347V or 480V
- Available 0-10V Dimming - Minimum 40%
- Power Factor > 0.95, THD < 10%
- Instant-On, Flicker Free, Minimum Light Loss
- Color Temperature 3000K/4000K/5000K
- CRI > 85 - Excellent Color Rendition
- Surge Protection

Model	Rated Wattage	Input Wattage	Replaces	Lamp Lm/W	Lamp Lumen	Input Voltage	Input Current
MHT-RT-40E	40W	42W	MH - 70W/HPS - 70W	80-82	3,200	120~277V	0.35 - 0.15A
MHT-RT-55E	55W	58W	MH - 100W/HPS - 100W		4,400		0.49 - 0.21A
MHT-RT-70E	70W	74W	MH - 100W/HPS - 150W		5,600		0.61 - 0.27A
MHT-RT-80E	80W	84W	MH - 150W/HPS - 150W	82-85	6,720		0.70 - 0.30A
MHT-RT-100E	100W	105W	MH - 175W/HPS - 200W		8,400		0.88 - 0.38A
MHT-RT-120E	120W	126W	MH - 200W/HPS - 200W		10,080		1.05 - 0.45A
MHT-RT-150E	150W	158W	MH - 250W/HPS - 300W	88-90	12,600		1.31 - 0.59A
MHT-RT-200E	200W	210W	MH - 360W/HPS - 400W		16,800		1.75 - 0.76A
MHT-RT-250E	250W	263W	MH - 400W/HPS - 500W		22,250		2.19 - 0.95A
MHT-RT-300E	300W	315W	MH - 500W/HPS - 600W		26,700		2.63 - 1.14A
MHT-RT-400E	400W	420W	MH - 750W/HPS - 750W		36,000	3.50 - 1.52A	
MHT-RT-500E	500W	525W	MH - 750W/HPS - 1000W	45,000	2.60 - 1.90A		



Manufactured in the USA

Toll Free **888-511-7780** • www.mhtlighting.com



ROUND TYPE LAMP AND BALLAST KIT

MHT-RT SERIES

Project _____

Part Number _____

Quantity _____

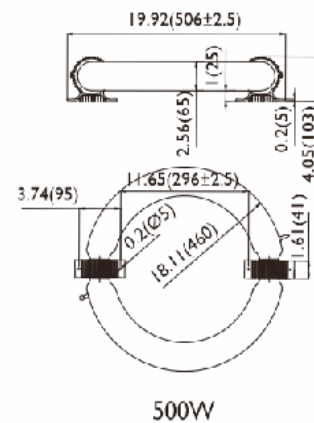
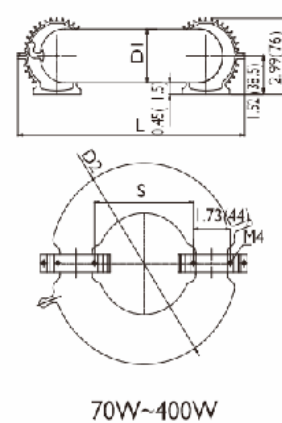
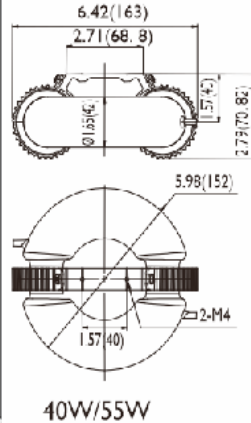
ORDERING CODES

MHT-RT	E					
Wattage: 40, 55, 70, 80, 100, 120, 150, 200, 250, 300, 400, 500	Color Temp: 3K=3000K 4K=4000K 5K=5000K	Input Voltage: U=120~277V 347=347V 480=480V	Ballast Housing: PA=Profiled Aluminum DA=Die Cast Aluminum	Option: E39=E39 Base E26=E26 Base OD=Overdriven Lamp DB=0-10V Dimming Ballast CMB=Custom Mounting Bracket (Specify Size and Details)	Stem Height: 1.06" 2.21" 3.79" 5.97"	

DIMENSIONS

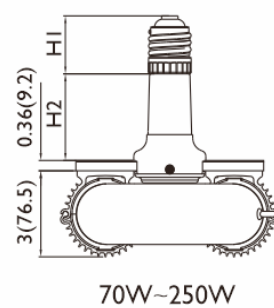
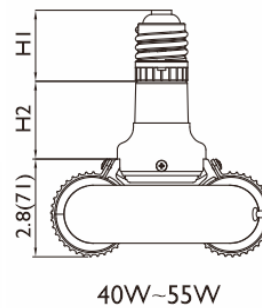
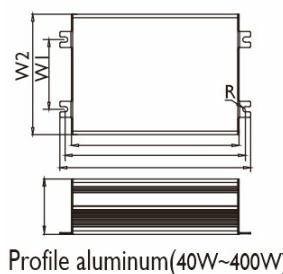
LAMP DIMENSIONS

inches (mm)	D1	D2	L
MHT-RT-40E	1.7 (42)	6.0 (152)	6.4 (163)
MHT-RT-55E	1.7 (42)	6.0 (152)	6.4 (163)
MHT-RT-70E	2.1 (54)	7.1 (180)	7.9 (201)
MHT-RT-80E	2.1 (54)	7.1 (180)	7.9 (201)
MHT-RT-100E	2.1 (54)	8.5 (217)	9.5 (242)
MHT-RT-120E	2.1 (54)	9.8 (249)	10.8 (274)
MHT-RT-150E	2.1 (54)	11.6 (294)	12.6 (319)
MHT-RT-200E	2.1 (54)	14.0 (354)	15.0 (381)
MHT-RT-250E	2.3 (58)	15.4 (390)	15.8 (401)
MHT-RT-300E	2.3 (58)	17.4 (441)	18.2 (463)
MHT-RT-400E	2.3 (58)	17.8 (453)	18.7 (475)
MHT-RT-500E	2.3 (58)	17.8 (453)	18.7 (475)



BALLAST DIMENSIONS

inches (mm)	L1	L3	W2	H1
MHT-RT-40E	5.2 (132)	6.0 (153)	3.7 (93)	1.6 (41)
MHT-RT-55E	5.2 (132)	6.0 (153)	3.7 (93)	1.6 (41)
MHT-RT-70E	6.2 (158)	7.1 (180)	4.1 (105)	1.9 (48)
MHT-RT-80E	6.2 (158)	7.1 (180)	4.1 (105)	1.9 (48)
MHT-RT-100E	6.2 (158)	7.1 (180)	4.1 (105)	1.9 (48)
MHT-RT-120E	7.5 (190)	8.5 (215)	4.7 (120)	2.1 (53)
MHT-RT-150E	7.5 (190)	8.5 (215)	4.7 (120)	2.1 (53)
MHT-RT-200E	7.5 (190)	8.5 (215)	4.7 (120)	2.1 (53)
MHT-RT-250E	9.0 (229)	10.0 (255)	4.7 (120)	2.1 (53)
MHT-RT-400E	10.8 (274)	11.9 (302)	5.3 (135)	2.5 (64)
MHT-RT-500E	10.8 (274)	11.9 (302)	5.3 (135)	2.5 (64)



	E39	E40
H1	2.03 (51.5)	2.17 (55)
H2	1.06 (27)	1.06 (27)
	2.21 (56)	2.21 (56)
	3.79 (96)	3.79 (96)
	5.97 (151)	5.97 (151)

	E39	E40
H1	2.03 (51.5)	2.17 (55)
H2	0.95 (24)	0.95 (24)
	2.21 (56)	2.21 (56)
	3.79 (96)	3.79 (96)
	5.97 (151)	5.97 (151)

- MHT Products are UL Recognized and Assembled in ISO9000/1 Certified US Facility
- Every Product is Quality Tested and Inspected Prior to Shipment
- MHT Lighting Offers a 5-year or 30,000 Hours Warranty (Please See Warranty Terms and Conditions)
- Proudly Manufactured in the USA

MHT Plant Operations

1961 Richmond Terrace
Staten Island, New York 10302
Tel: (718) 524-4370
Fax: (718) 524-4390

West Coast Operations

2285 Michael Faraday Dr. Suite 10
San Diego, California 92154
Tel: (619) 661-0600

www.mhtlighting.com

888-511-7780

MHT Confidential
Rev Date: December 2017