

LED WALLPACK

MHTL-LWP1-XC SERIES

Project _____

Part Number _____

Quantity _____



APPLICATIONS

- ATM
- Building Exterior
- Garage
- Security Lighting
- Walkway



FEATURES

- >100,000 Hours Rated Lifespan
- 10-year Warranty
- L70 > 100,000 Hours
- Die Cast Aluminum and Polycarbonate Housing
- Prismatic Polycarbonate Lens
- Wall Surface Mount
- Optional Integrated Button Type Photocell Control
- Ambient Temperature -30 to 120 °F



LED/DRIVER

- Universal Input Voltage 120 - 277V
- Optional Input Voltage 347V/480V
- THD < 15% @277V
- Power Factor > 0.95 @277V
- CRI > 80
- 0-10V Dimmable Driver
- Color Temperature 3000/4000/5000K
- Surge Protection

Model	Input Power	CCT	Lm/W	Lumen	Dimensions
MHTL-LWP1-XC-20E-3K-U	20W	3000K	90	1,800	6.9" x 11" x 5.2"



Manufactured in the USA

Toll Free **888-511-7780** • www.mhtlighting.com



LED WALLPACK

MHTL-LWP1-XC SERIES

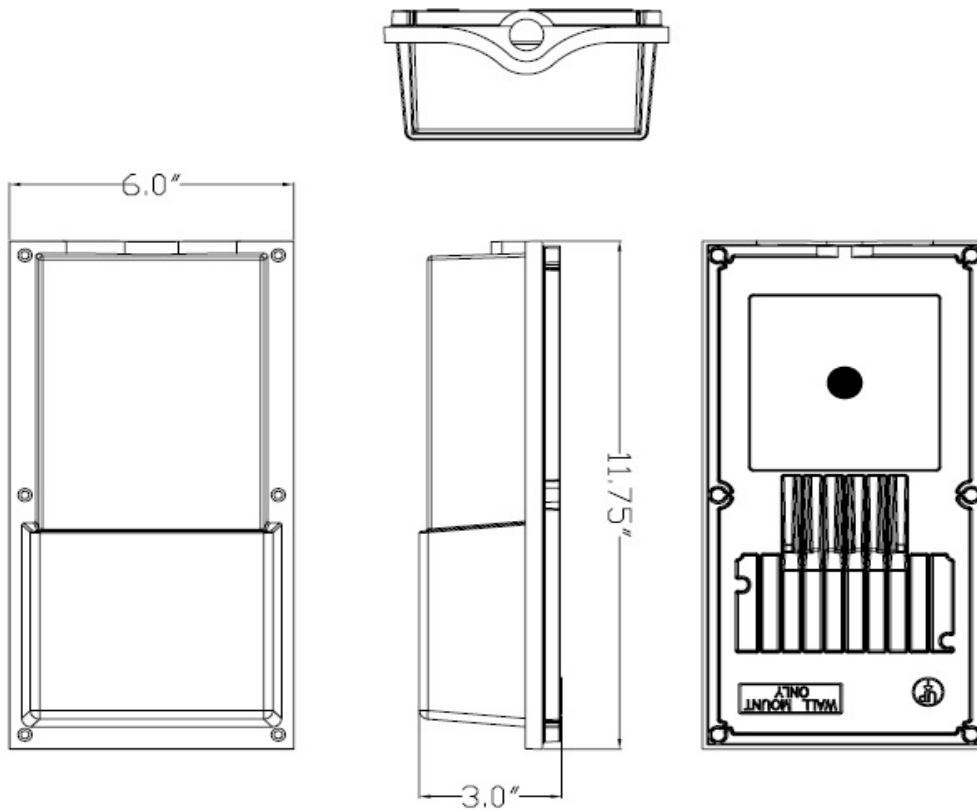
Project _____
 Part Number _____
 Quantity _____

ORDERING CODES

MHTL-LWP1-XC	20 E			
--------------	------	--	--	--

Wattage: 3K=3000K Color Temperature: 4K=4000K Input Voltage: U=120-277V Option: (Standard in Dark Bronze)
 5K=5000K 347=347V 480=480V PC=Button Type Photocell
 SPD=Surge Protective Device

DIMENSIONS



- Power Cord or Leads is Not Included

- MHT Products are ETL Listed and Assembled in ISO9000/1 Certified US Facility
- MHT Lighting Offers a 10-year Warranty (See Warranty Terms and Conditions)
- Every Product is Quality Tested and Inspected Prior to Shipment
- Proudly Manufactured in the USA
- For Product IES Files Please Contact Your Local Reps

MHT Plant Operations
 1961 Richmond Terrace
 Staten Island, New York 10302
 Tel: (718) 524-4370
 Fax: (718) 524-4390

West Coast Operations
 2285 Michael Faraday Dr. Suite 10
 San Diego, California 92154
 Tel: (619) 661-0600

www.mhtlighting.com
888-511-7780

MHT Confidential
 Rev Date: December 2017