

# LED SQUARE CANOPY

## MHTL-CL-XC SERIES

Project \_\_\_\_\_

Part Number \_\_\_\_\_

Quantity \_\_\_\_\_



### APPLICATIONS

- Canopy
- Gas Station
- Parking Garage
- Walkway

### FEATURES

- >100,000 Hours Rated Lifespan
- 10-year Warranty
- L90 > 130,000 Hours (45W); L90 > 48,000 Hours (65W)
- Die Cast Aluminum Housing (Dark Bronze)
- Prismatic Polycarbonate Lens - Impact Resistant and Glare Free
- Available in Low Profiled Lens - See MHTL-LPCL Spec Sheet
- Available Integrated Emergency Battery Backup
- Available Integrated Microwave Sensor
- Ambient Temperature -30 to 120 °F



### LED/DRIVER

- Universal Input Voltage 120 - 277V
- Optional Input Voltage 347V/480V
- Power Factor > 0.93 @277V
- THD < 17% @277V
- 0-10V Dimmable Driver
- Color Temperature 4000K/5000K
- Surge Protection
- CRI > 75

Model	Input Power	CCT	Lm/W	Lumen	Dimensions
MHTL-CL-XC-45E-4K-U	45W	4000K	102	4,200	12.4" x 12.4" x 8.6"
MHTL-CL-XC-65E-4K-U	65W	4000K	102	6,200	12.4" x 12.4" x 8.6"



Manufactured in the USA

Toll Free **888-511-7780** • [www.mhtlighting.com](http://www.mhtlighting.com)



# LED SQUARE CANOPY

## MHTL-CL-XC SERIES

Project \_\_\_\_\_

Part Number \_\_\_\_\_

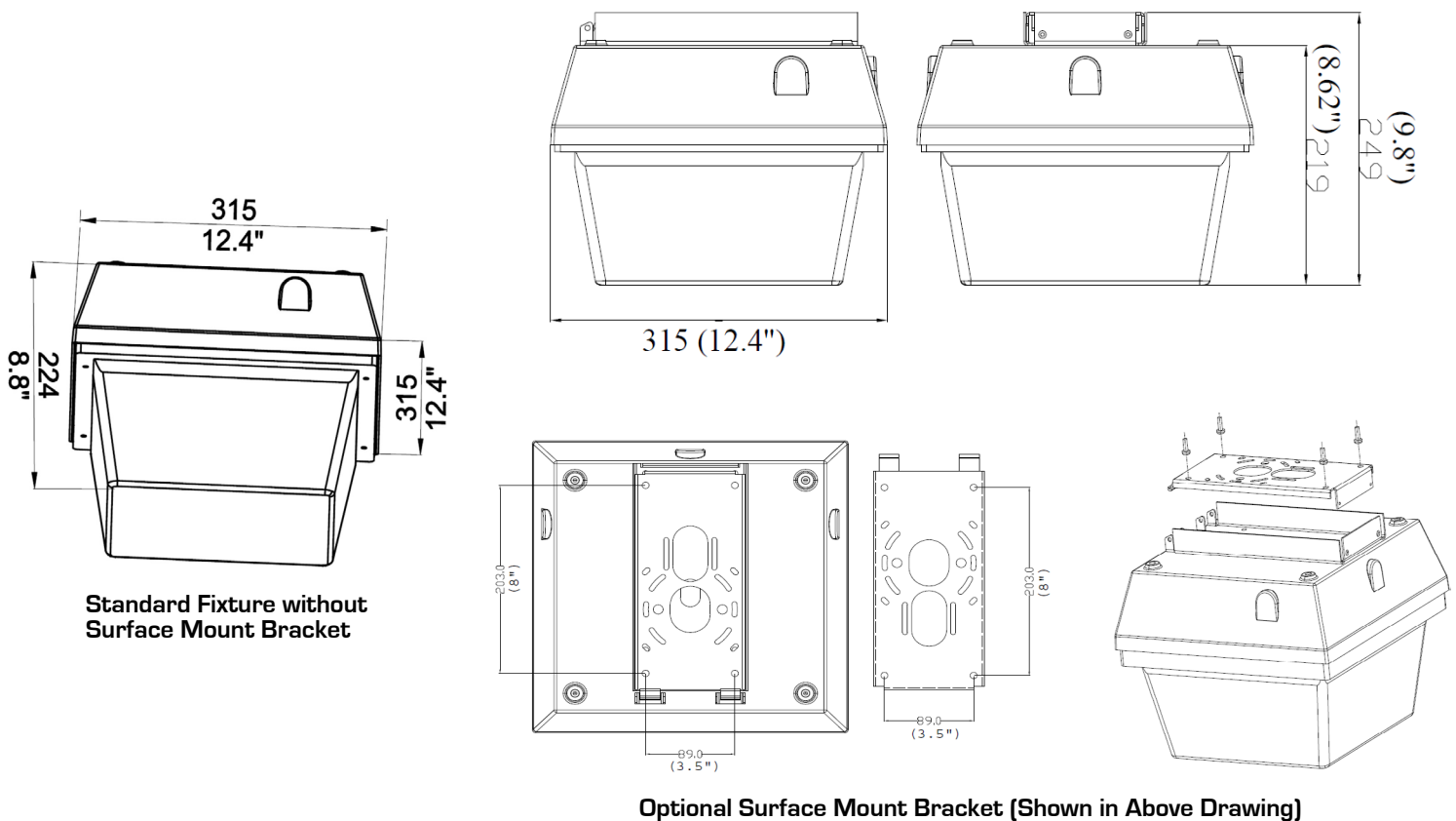
Quantity \_\_\_\_\_

### ORDERING CODES



<b>Wattage:</b> 45, 65	<b>Color Temp:</b> 4K=4000K 5K=5000K	<b>Input Voltage:</b> U=120-277V 347=347V 480=480V	<b>Mounting:</b> PM=Pendant Mount (Standard 3/4") SM=Surface Mount Bracket	<b>Option:</b> (Standard in Dark Bronze) EB=Emergency Battery Backup SPD=Surge Protective Device OS=Occupancy Sensor (See "Smart" Series for Details)
---------------------------	--	---	---	--

### DIMENSIONS



- MHT Products are ETL Listed and Assembled in ISO9000/1 Certified US Facility
- MHT Lighting Offers a 10-year Warranty (See Warranty Terms and Conditions)
- Every Product is Quality Tested and Inspected Prior to Shipment
- Proudly Manufactured in the USA
- For Product IES Files Please Contact Your Local Reps

**MHT Plant Operations**  
1961 Richmond Terrace  
Staten Island, New York 10302  
Tel: (718) 524-4370  
Fax: (718) 524-4390

**West Coast Operations**  
2285 Michael Faraday Drive, Suite 10  
San Diego, California 92154  
Tel: (619) 661-0600

[www.mhtlighting.com](http://www.mhtlighting.com)  
**888-511-7780**

MHT Confidential  
Rev Date: December 2017