

# LED TROFFER

## MHTL-VOL-XC SERIES

Project \_\_\_\_\_

Part Number \_\_\_\_\_

Quantity \_\_\_\_\_



### APPLICATIONS

- Education and Retail
- Healthcare
- Office



### FEATURES

- >100,000 Hours Rated Lifespan
- 10-year Warranty
- L70 > 100,000 Hours
- 0.8mm Die-form Steel Housing (White)
- Frosted Finished Polycarbonate Lens - Low Glare
- Highly Reflective White Coating
- 1/2" Knock-outs on Top
- Recessed Ceiling Mount
- Optional Emergency Battery Backup



### LED/DRIVER

- Universal Input Voltage 120 - 277V
- Optional Input Voltage 347V/480V
- Power Factor > 0.99 @120V
- THD < 10% @120V
- Surge Protection
- 0-10V Dimmable Driver
- CRI > 80
- Color Temperature 3000K - 5000K

Model	Input Power	Lm/W	Lumen	Dimensions
MHTL-VOL-XC-2X2-24E-4K-U	24W	123	3,000	23.78" x 23.74" x 2.4"
MHTL-VOL-XC-2X2-38E-4K-U	38W	123	4,400	23.78" x 23.74" x 2.4"
MHTL-VOL-XC-2X4-40E-4K-U	40W	126	5,000	23.78" x 47.72" x 2.4"
MHTL-VOL-XC-2X4-50E-4K-U	50W	126	6,300	23.78" x 47.72" x 2.4"



Manufactured in the USA

Toll Free **888-511-7780** • [www.mhtlighting.com](http://www.mhtlighting.com)



# LED TROFFER

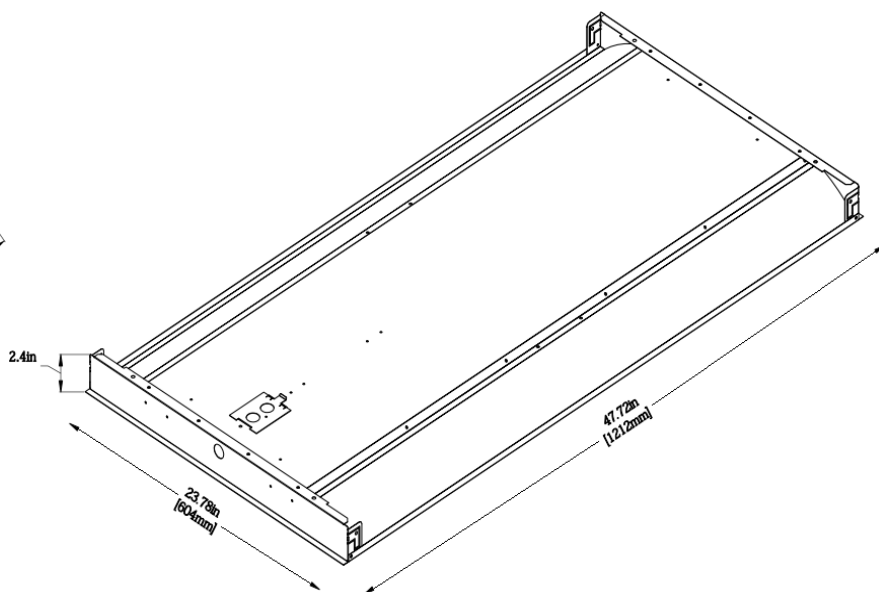
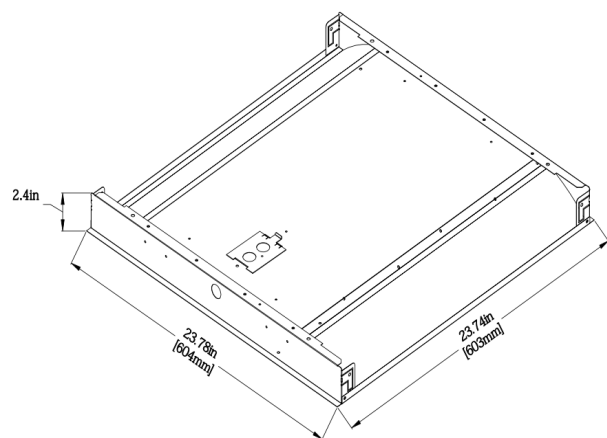
## MHTL-VOL-XC SERIES

Project \_\_\_\_\_  
 Part Number \_\_\_\_\_  
 Quantity \_\_\_\_\_

### ORDERING CODES

MHTL-VOL-XC				
	<u>Wattage:</u>	<u>Color Temperature:</u>	<u>Input Voltage:</u>	<u>Option:</u>
	2X2-24E	3K=3000K	U=120-277V	(Standard in White)
	2X2-38E	35K=3500K	347=347V	EB=Emergency Battery Backup
	2X4-40E	4K=4000K	480=480V	FC=Fixture Control (Lutron FCJ-010)
	2X4-50E	5K=5000K		OS=Occupancy Sensor Control (See "Integrated Control" Series)

### DIMENSIONS



- MHT Products are ETL Listed and Assembled in ISO9000/1 Certified US Facility
- MHT Lighting Offers a 10-year Warranty (See Warranty Terms and Conditions)
- Every Product is Quality Tested and Inspected Prior to Shipment
- Proudly Manufactured in the USA
- For Product IES Files Please Contact Your Local Reps

**MHT Plant Operations**  
 1961 Richmond Terrace  
 Staten Island, New York 10302  
 Tel: (718) 524-4370  
 Fax: (718) 524-4390

**West Coast Operations**  
 2285 Michael Faraday Dr. Suite 10  
 San Diego, California 92154  
 Tel: (619) 661-0600

[www.mhtlighting.com](http://www.mhtlighting.com)  
**888-511-7780**

MHT Confidential  
 Rev Date: December 2017