

“SMART” LED DARK SKY WALLPACK

Integrated Controls Solution

MHTL-DSWP SMART SERIES

Project _____

Part No. _____

Quantity _____

- Maximize efficiency, save on-site labor costs and controls coordination headaches. MHT’s fully integrated photocontrol, occupancy sensor and dimming ability can save up to 90% in energy costs! Making it the “Smart” Solution.

- Our proven “Smart” LED solutions offer incredible value, proven reliability and are backed by our 10-year warranty.



APPLICATIONS

- Building Exterior
- Parking Garage
- Security Lighting
- Walkway



FEATURES

- Integrated Photocontrol that Turns OFF Lighting When Sufficient Daylight is Available
- Integrated Motion Sensor that Reduces Light Output When An Area is Unoccupied
- Dimming Range Between 10% and 50% When Motion is Not Detected
- Different Lens Options for up to 20ft Mounting Height and 40ft Diameter Coverage
- Optional Remote Control for On-Site Motion Sensor Adjustment
- Title 24 Compliant
- L90 > 49,000 Hours
- Die Cast Aluminum Housing (Dark Bronze)
- Full Cutoff - Dark Sky Compliant
- Standard Flat Clear Tempered Glass Lens
- High Performance Acrylic Optical Lens - Type III or Type IV Distribution

LED/DRIVER

- Standard Input Voltage 120/277V
- Power Factor > 0.99 @120V
- THD < 6% @120V; CRI > 75
- Color Temperature 4000K/5000K
- 6kV Surge Protection
- IP67 LED Driver and Modules

Model	Input Power	Lm/W	Lumen	Dimensions
MHTL-DSWP-76E-4K-U	76W	105	7,900	18.25" x 14.4" x 9.15"



Manufactured in the USA

Toll Free **888-511-7780** • www.mhtlighting.com



"SMART" LED DARK SKY WALLPACK

Integrated Controls Solution

MHTL-DSWP SMART SERIES

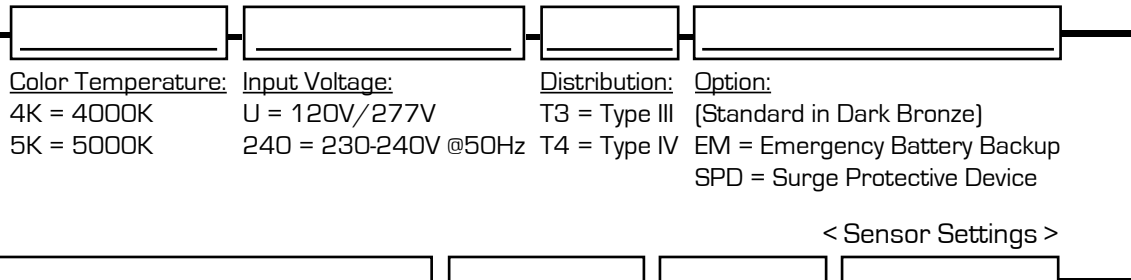
Project _____

Part No. _____

Quantity _____

ORDERING CODES

MHTL-DSWP-76E



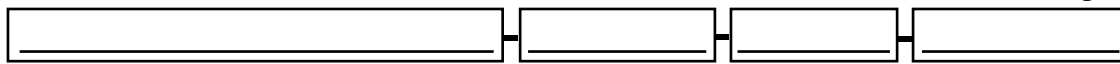
Color Temperature:
4K = 4000K
5K = 5000K

Input Voltage:
U = 120V/277V
240 = 230-240V @50Hz

Distribution:
T3 = Type III
T4 = Type IV

Option:
(Standard in Dark Bronze)
EM = Emergency Battery Backup
SPD = Surge Protective Device

< Sensor Settings >



Motion Sensor Lens Option:
FSP-L2 = 8' Height, 48' Diameter Coverage
FSP-L3 = 20' Height, 40' Diameter Coverage

Dim to OFF:
Disable,
5 to 300 Minutes
Default: Disable

Dimming Level:
10 to 50%
Default: 50%

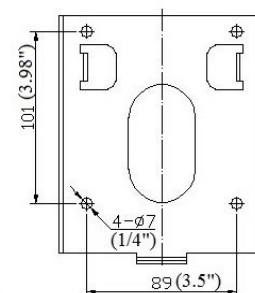
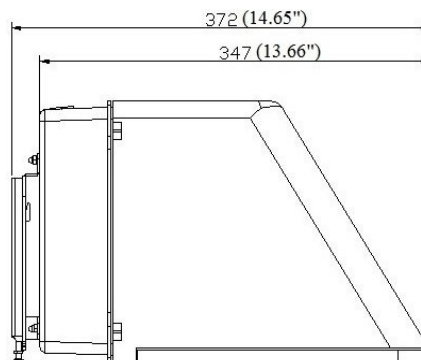
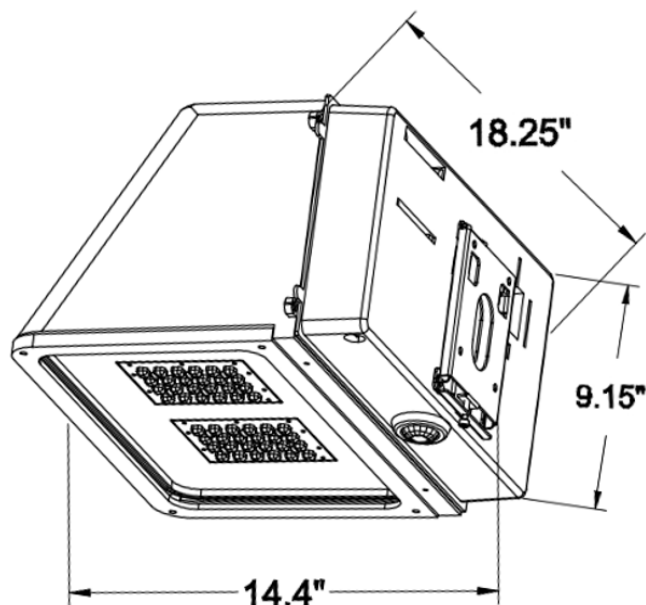
Hold Time:
1 to 30 Minutes
Default: 3 Minutes

Hold Time - Time period for fixture remains at 100% output after motion is not detected

Dimming Level - Fixture Light level after **Hold Time**

Dim to OFF - Time period for fixture remains at **Dimming Level** before goes OFF (Disable - Fixture won't go OFF)

DIMENSIONS



- MHT Products are ETL Listed and Assembled in ISO9000/1 Certified US Facility
- MHT Lighting Offers a 10-year Warranty (See Warranty Terms and Conditions)
- Every Product is Quality Tested and Inspected Prior to Shipment
- Proudly Manufactured in the USA
- For Product IES Files Please Contact Your Local Reps

MHT Plant Operations

1961 Richmond Terrace
Staten Island, New York 10302
Tel: (718) 524-4370
Fax: (718) 524-4390

West Coast Operations

2285 Michael Faraday Dr. Suite 10
San Diego, California 92154
Tel: (619) 661-0600

www.mhtlighting.com

888-511-7780

MHT Confidential
Rev Date: December 2017