

# “SMART” LED WALLPACK

Integrated Controls Solution

## MHTL-WP SMART SERIES

Project \_\_\_\_\_

Part No. \_\_\_\_\_

Quantity \_\_\_\_\_

- Maximize efficiency, save on-site labor costs and controls coordination headaches. MHT’s fully integrated photocontrol, occupancy sensor and dimming ability can save up to 90% in energy costs! Making it the “Smart” Solution.

- Our proven “Smart” LED solutions offer incredible value, proven reliability and are backed by our 10-year warranty.



### APPLICATIONS

- Building Exterior
- Parking Garage
- Security Lighting
- Walkway



### FEATURES

- Integrated Photocontrol that Turns OFF Lighting When Sufficient Daylight is Available
- Integrated Motion Sensor that Reduces Light Output When An Area is Unoccupied
- Dimming Range Between 10% and 50% When Motion is Not Detected
- Different Lens Options for up to 20ft Mounting Height and 40ft Diameter Coverage
- Optional Remote Control for On-Site Motion Sensor Adjustment
- Title 24 Compliant
- L85 > 86,000 Hours
- Die Cast Aluminum Housing (Dark Bronze)
- Standard Prismatic Borosilicate Glass Lens - Glare Free
- Optional Prismatic Polycarbonate Lens - Glare Free & Impact Resistant
- High Performance Acrylic Optical Lens

### LED/DRIVER

- Standard Input Voltage 120/277V
- Power Factor > 0.99 @120V
- THD < 6% @120V; CRI > 75
- Color Temperature 4000K/5000K
- 6kV Surge Protection
- IP67 LED Driver and Modules

Model	Input Power	Lm/W	Lumen	CCT	Dimensions
MHTL-WP-76E-4K-U	76W	108	8,200	4000K	18.1" x 9" x 9.4"



Manufactured in the USA

Toll Free **888-511-7780** • [www.mhtlighting.com](http://www.mhtlighting.com)



# "SMART" LED WALLPACK

Integrated Controls Solution

## MHTL-WP SMART SERIES

Project \_\_\_\_\_

Part No. \_\_\_\_\_

Quantity \_\_\_\_\_

### ORDERING CODES

**MHTL-WP-76E**

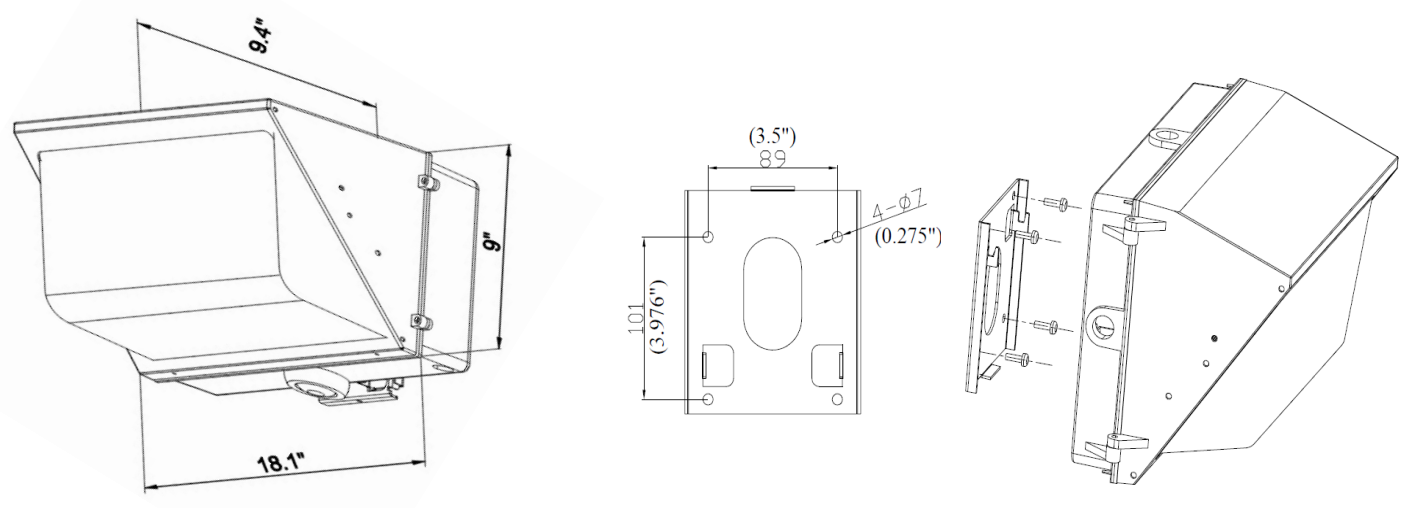
Color Temp: 4K = 4000K 5K = 5000K    Input Voltage: U = 120V/277V 240 = 230-240V @50Hz    Lens: GL = Glass Lens PL = PC Lens    Option: (Standard in Dark Bronze) EM = Emergency Battery Backup SPD = Surge Protection Device

< Sensor Settings >

Motion Sensor Lens Option: FSP-L2 = 8' Height, 48' Diameter Coverage FSP-L3 = 20' Height, 40' Diameter Coverage    Dim to OFF: Disable, 5 to 300 Minutes **Default: Disable**    Dimming Level: 10 to 50% **Default: 50%**    Hold Time: 1 to 30 Minutes **Default: 3 Minutes**

**Hold Time** - Time period for fixture remains at 100% output after motion is not detected  
**Dimming Level** - Fixture Light level after **Hold Time**  
**Dim to OFF** - Time period for fixture remains at **Dimming Level** before goes OFF (Disable - Fixture won't go OFF)

### DIMENSIONS



- MHT Products are ETL Listed and Assembled in ISO9000/1 Certified US Facility
- MHT Lighting Offers a 10-year Warranty (See Warranty Terms and Conditions)
- Every Product is Quality Tested and Inspected Prior to Shipment
- Proudly Manufactured in the USA
- For Product IES Files Please Contact Your Local Reps

**MHT Plant Operations**  
 1961 Richmond Terrace  
 Staten Island, New York 10302  
 Tel: (718) 524-4370  
 Fax: (718) 524-4390

**West Coast Operations**  
 2285 Michael Faraday Dr. Suite 10  
 San Diego, California 92154  
 Tel: (619) 661-0600

[www.mhtlighting.com](http://www.mhtlighting.com)  
**888-511-7780**

MHT Confidential  
 Rev Date: December 2017