

“SMART” LED HIGH/LOW BAY

Integrated Controls Solution

MHTL-HLB SMART SERIES

Project _____

Part No. _____

Quantity _____

- Maximize efficiency, save on-site labor costs and controls coordination headaches. MHT’s fully integrated photocontrol, occupancy sensor and dimming ability can save up to 90% in energy costs! Making it the “Smart” Solution.

- Our proven “Smart” LED solutions offer incredible value, proven reliability and are backed by our 10-year warranty.



APPLICATIONS

- Canopies
- Gymnasium
- Manufacturing
- Walkways
- Warehouse

FEATURES

- Attached Motion Sensor that Reduces Light Output When An Area is Unoccupied
- Dimming Range Between 10% and 50% (or Turns OFF) When Motion is Not Detected
- Different Lens Options for Open Area or Aisleway
- L90 > 110,000 Hours; Title 24 Compliant
- Die Cast Aluminum Housing (Matte White)
- Highly Efficient Die Cast Aluminum Heat Sink
- Frosted Finish Acrylic Optical Lens - Low Glare
- Wide Spread Light Distribution
- Standard Hook or 3/4” Pendant Mount
- Fixture IP 65 Protection



LED/DRIVER

- Standard Input Voltage 120/277V
- Power Factor > 0.91 @277V
- THD < 14% @277V
- Color Temperature 3500K/4000K/5000K
- 6kV Surge Protection
- CRI > 75

Model	Input Power	Lm/W	Lumen	CCT	Dimensions
MHTL-HLB-115E-35K-U	115W	115	13,000	3500K	Ø16” x 12.4”
MHTL-HLB-150E-35K-U	150W	115	17,000	3500K	Ø16” x 12.4”

Manufactured in the USA

Toll Free **888-511-7780** • www.mhtlighting.com



"SMART" LED HIGH/LOW BAY

Integrated Controls Solution

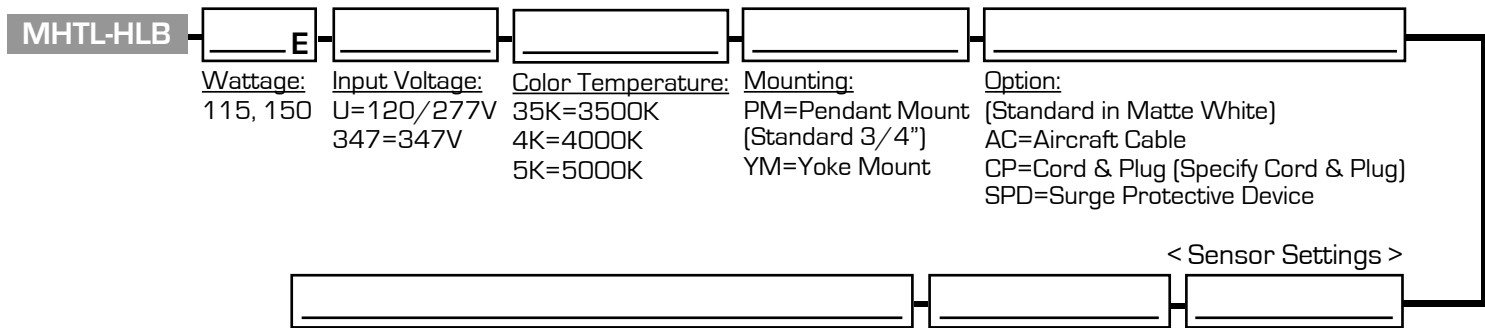
MHTL-HLB SMART SERIES

Project _____

Part No. _____

Quantity _____

ORDERING CODES

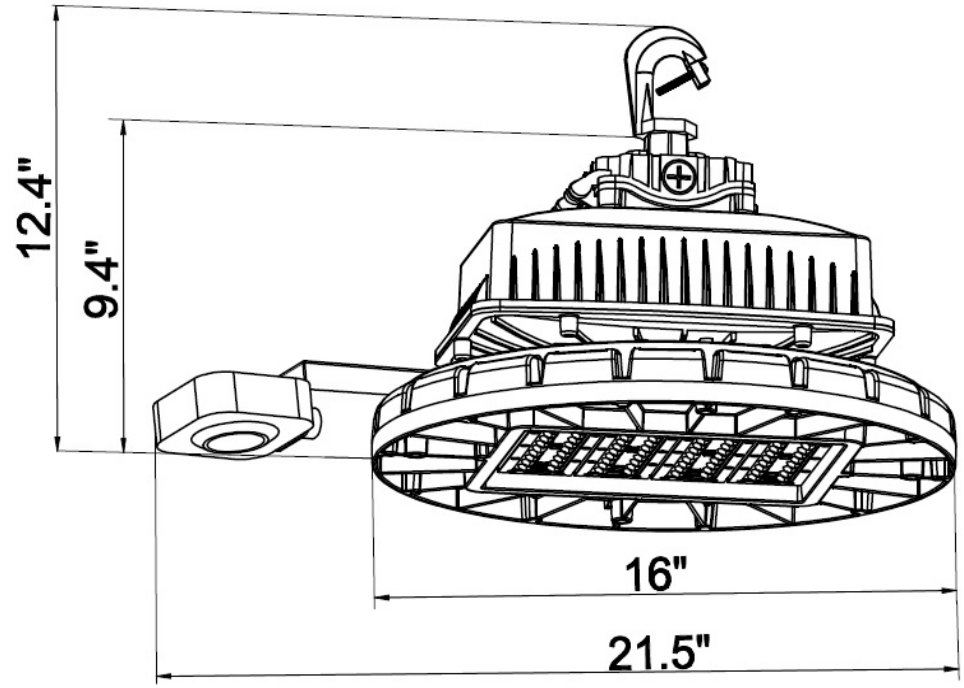


Wattage: 115, 150
Input Voltage: U=120/277V, 347=347V
Color Temperature: 35K=3500K, 4K=4000K, 5K=5000K
Mounting: PM=Pendant Mount (Standard 3/4"), YM=Yoke Mount
Option: (Standard in Matte White), AC=Aircraft Cable, CP=Cord & Plug (Specify Cord & Plug), SPD=Surge Protective Device

Motion Sensor Lens Option: 360=360° (45ft Height, 60ft Diameter Coverage), AW=Aisleway (40ft Height, 100ft x 5ft Linear Coverage)
Dimming Level: 10 to 50% or Disable, **Default: 50%**
Hold Time: 1 to 20 Minutes, **Default: 3 Minutes**

Hold Time - Time period for fixture remains at 100% output after motion is not detected
Dimming Level - Fixture Light level after **Hold Time** (Disable - Fixture goes OFF after **Hold Time**)

DIMENSIONS



- MHT Products are ETL Listed and Assembled in ISO9000/1 Certified US Facility
- MHT Lighting Offers a 10-year Warranty (See Warranty Terms and Conditions)
- Every Product is Quality Tested and Inspected Prior to Shipment
- Proudly Manufactured in the USA
- For Product IES Files Please Contact Your Local Reps

MHT Plant Operations
 1961 Richmond Terrace
 Staten Island, New York 10302
 Tel: (718) 524-4370
 Fax: (718) 524-4390

West Coast Operations
 2285 Michael Faraday Dr. Suite 10
 San Diego, California 92154
 Tel: (619) 661-0600

www.mhtlighting.com
888-511-7780