

“SMART” LED ALUMINUM HIGHBAY

Integrated Controls Solution

MHTL-HBa SMART SERIES

Project _____

Part No. _____

Quantity _____

- Maximize efficiency, save on-site labor costs and controls coordination headaches. MHT’s fully integrated photocontrol, occupancy sensor and dimming ability can save up to 90% in energy costs! Making it the “Smart” Solution.

- Our proven “Smart” LED solutions offer incredible value, proven reliability and are backed by our 10-year warranty.



APPLICATIONS

- Convention Center
- Gymnasium
- Manufacturing
- Warehouse



FEATURES

- Attached Motion Sensor that Reduces Light Output When An Area is Unoccupied
- Dimming Range Between 10% and 50% (or Turns OFF) When Motion is Not Detected
- Different Lens Options for Open Area or Aisleway
- L70 > 100,000 Hours; Title 24 Compliant
- Die Cast Driver Compartment and High Efficient Aluminum Liquid Heat Sink (Silver)
- Mirror Coated Aluminum Reflector - Available in Wide or Narrow Distribution
- Standard Hook or 3/4” Pendant Mount
- Optional Flat Frosted Tempered Glass Lens (Low Glare & IP65 Rated)
- Optional Prismatic Polycarbonate Lens (Low Glare & Impact Resistant)

LED/DRIVER

- Standard Input Voltage 120/277V
- Optional Input Voltage 347V
- Color Temperature 3500K/4000K/5000K
- Power Factor > 0.95 @277V
- THD < 15% @277V; CRI > 85
- 6kV Surge Protection

Model	Input Power	Lumen	Lens	Dimensions (w/o Hook)
MHTL-HBa-110E-4K-U-W-GL	110W	12,000	Frosted Glass	Ø22.5” x 17.7”
MHTL-HBa-145E-4K-U-W-GL	145W	16,000	Frosted Glass	Ø22.5” x 17.7”
MHTL-HBa-195E-4K-U-W-GL	195W	22,000	Frosted Glass	Ø22.5” x 17.7”
MHTL-HBa-220E-4K-U-W-GL	220W	25,000	Frosted Glass	Ø22.5” x 17.7”
MHTL-HBa-255E-4K-U-W-GL	255W	28,000	Frosted Glass	Ø22.5” x 17.7”
MHTL-HBa-295E-4K-U-W-GL	295W	33,000	Frosted Glass	Ø22.5” x 23.9”
MHTL-HBa-340E-4K-U-W-GL	340W	38,000	Frosted Glass	Ø22.5” x 23.9”
MHTL-HBa-400E-4K-U-W-GL	400W	45,000	Frosted Glass	Ø22.5” x 26.6”



Manufactured in the USA

Toll Free **888-511-7780** • www.mhtlighting.com



“SMART” LED ALUMINUM HIGHBAY

Integrated Controls Solution

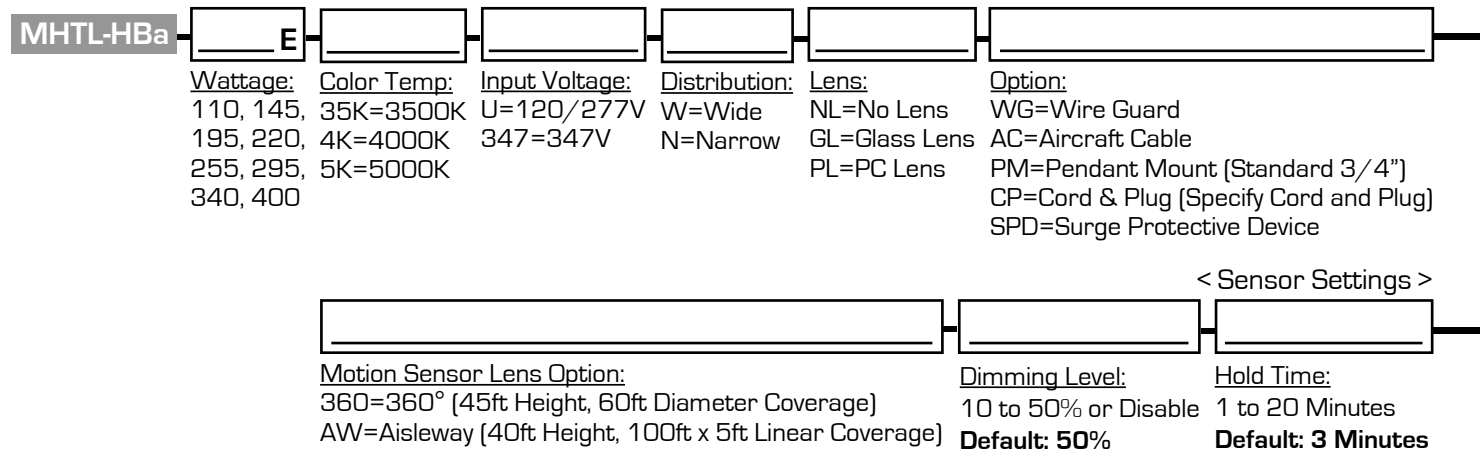
MHTL-HBa SMART SERIES

Project _____

Part No. _____

Quantity _____

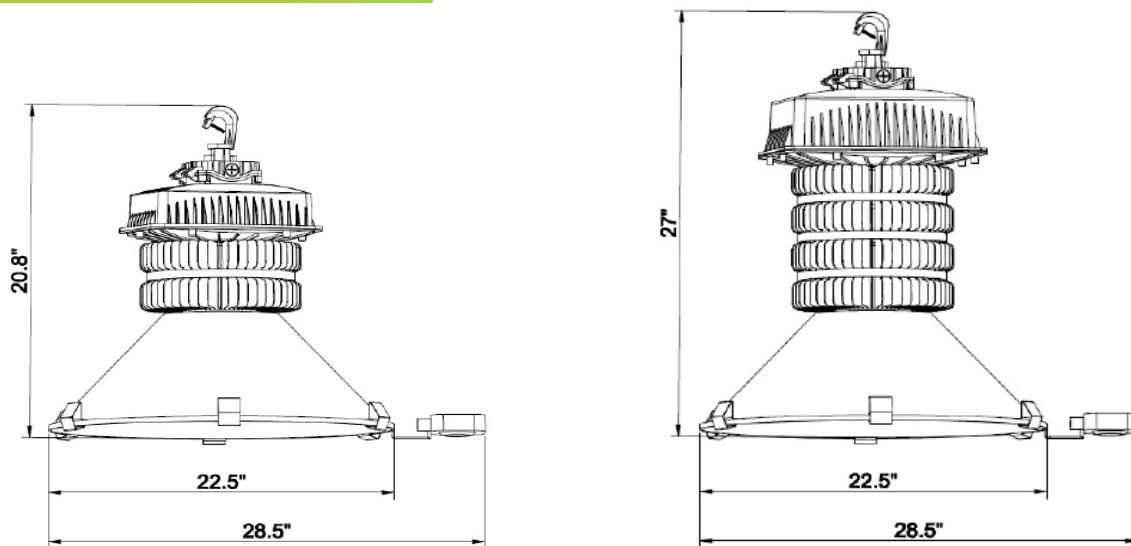
ORDERING CODES



Hold Time - Time period for fixture remains at 100% output after motion is not detected

Dimming Level - Fixture Light level after **Hold Time** (Disable - Fixture goes OFF after **Hold Time**)

DIMENSIONS



inch (mm)		
Input Power	Overall Height with Hook	Aluminum Diffuser Diameter
110W / 145W / 195W / 220W / 255W	20.8 (528)	22.5 (572)
295W / 340W / 400W	27 (685)	

- MHT Products are ETL Listed and Assembled in ISO9000/1 Certified US Facility
- MHT Lighting Offers a 10-year Warranty (See Warranty Terms and Conditions)
- Every Product is Quality Tested and Inspected Prior to Shipment
- Proudly Manufactured in the USA
- For Product IES Files Please Contact Your Local Reps

MHT Plant Operations
1961 Richmond Terrace
Staten Island, New York 10302
Tel: (718) 524-4370
Fax: (718) 524-4390

West Coast Operations
2285 Michael Faraday Dr. Suite 10
San Diego, California 92154
Tel: (619) 661-0600

www.mhtlighting.com
888-511-7780