

# “SMART” LED ROUND CANOPY

Integrated Controls Solution

## MHTL-RCL-PRM SMART SERIES

Project \_\_\_\_\_

Part No. \_\_\_\_\_

Quantity \_\_\_\_\_

- Maximize efficiency, save on-site labor costs and controls coordination headaches. MHT’s fully integrated photocontrol, occupancy sensor and dimming ability can save up to 90% in energy costs! Making it the “Smart” Solution.

- Our proven “Smart” LED solutions offer incredible value, proven reliability and are backed by our 10-year warranty.



### APPLICATIONS

- Canopy
- Parking Garage
- Manufacturing
- Warehouse
- Walkway



### FEATURES

- Integrated Microwave Motion Sensor that Reduces Light Output When An Area is Unoccupied
- Dimming Range Between 10% and 50% When Motion is Not Detected
- Available Dim to OFF Feature When Light is Not Needed
- Motion Coverage Area is 40ft in Diameter at 10ft Mounting Height
- L70 > 100,000 Hours; Title 24 Compliant
- ADC12 Die Cast Aluminum Housing (White)
- Low Glare Frosted Polycarbonate Drop Lens
- Low Profiled Design - 4.5” Overall Height
- Highly Efficient LED Driver and Nichia LEDs
- Fixture Protection Class IP65

### LED/DRIVER

- Standard Input Voltage 120V/277V
- Power Factor > 0.90 @277V
- THD < 17% @277V
- Color Temperature 4000K/5000K
- CRI > 84
- Surge Protection

Model	Input Power	CCT	Lm/W	Lumen	Dimensions
MHTL-RCL-PRM-40E-4K-U	40W	4000K	127	5,244	Ø11.4” x 4.5”
MHTL-RCL-PRM-40E-5K-U	40W	5000K	132	5,569	Ø11.4” x 4.5”
MHTL-RCL-PRM-60E-4K-U	60W	4000K	127	7,432	Ø11.4” x 4.5”
MHTL-RCL-PRM-60E-5K-U	60W	5000K	133	7,818	Ø11.4” x 4.5”



Manufactured in the USA

Toll Free **888-511-7780** • [www.mhtlighting.com](http://www.mhtlighting.com)



# "SMART" LED ROUND CANOPY

Integrated Controls Solution

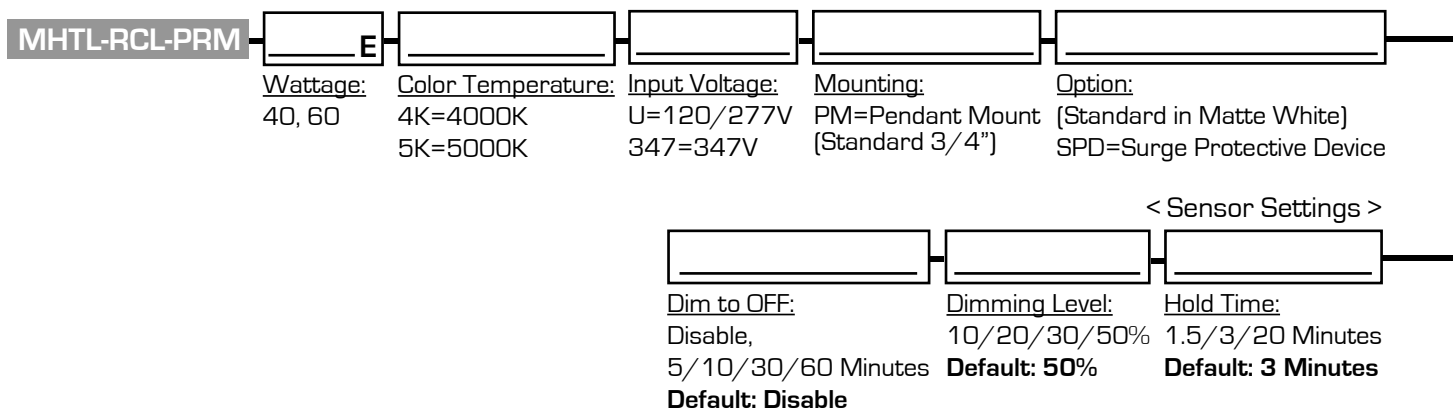
## MHTL-RCL-PRM SMART SERIES

Project \_\_\_\_\_

Part No. \_\_\_\_\_

Quantity \_\_\_\_\_

### ORDERING CODES

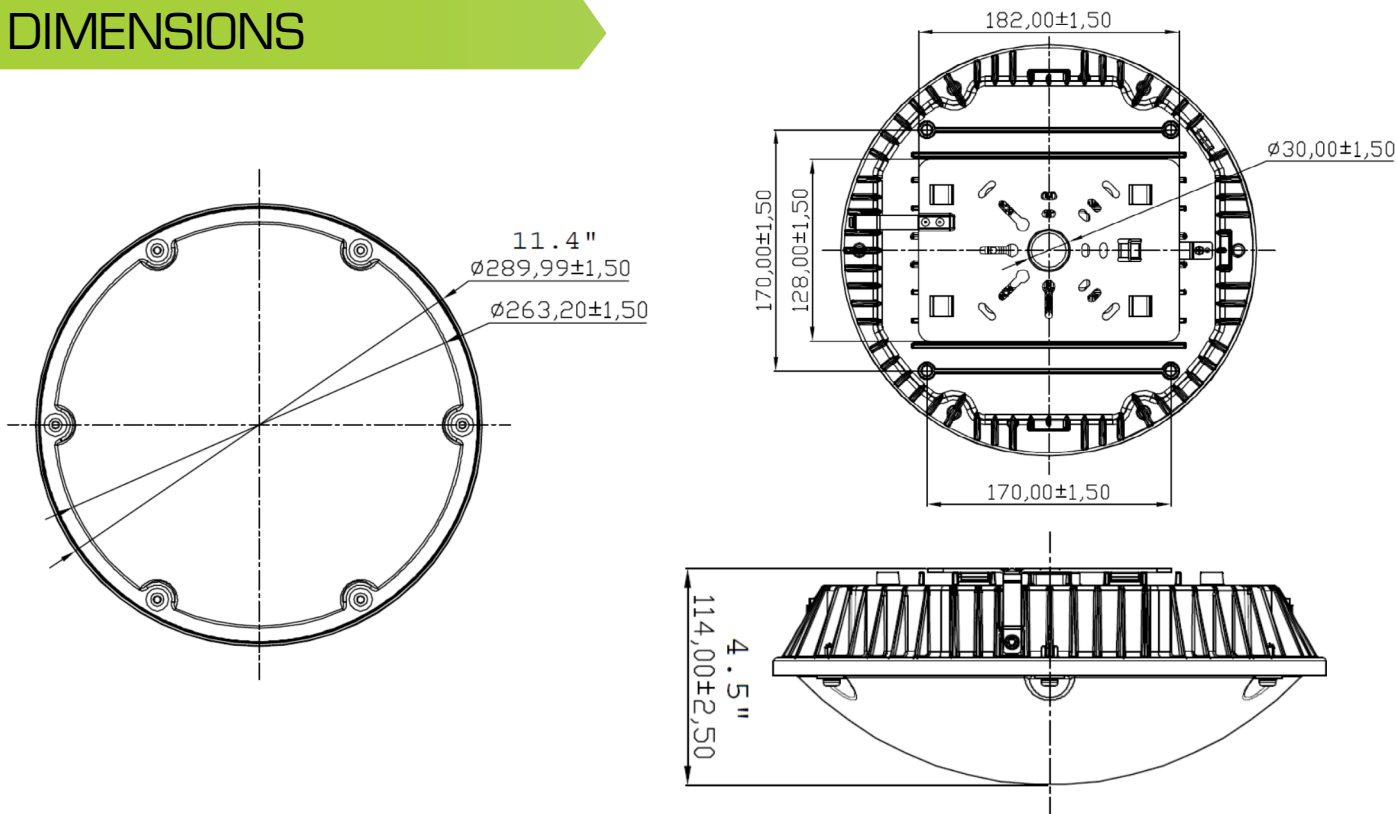


**Hold Time** - Time period for fixture remains at 100% output after motion is not detected

**Dimming Level** - Fixture Light level after **Hold Time**

**Dim to OFF** - Time period for fixture remains at **Dimming Level** before goes OFF (Disable - Fixture won't go OFF)

### DIMENSIONS



- MHT Products are UL Listed and Assembled in ISO9000/1 Certified US Facility
- MHT Lighting Offers a 10-year Warranty (See Warranty Terms and Conditions)
- Every Product is Quality Tested and Inspected Prior to Shipment
- Proudly Manufactured in the USA
- For Product IES Files Please Contact Your Local Reps

#### MHT Plant Operations

1961 Richmond Terrace  
Staten Island, New York 10302  
Tel: (718) 524-4370  
Fax: (718) 524-4390

#### West Coast Operations

2285 Michael Faraday Dr. Suite 10  
San Diego, California 92154  
Tel: (619) 661-0600

[www.mhtlighting.com](http://www.mhtlighting.com)

**888-511-7780**

MHT Confidential  
Rev Date: December 2017