

“SMART” LED SHOEBOX -Integrated Controls Solution

MHTL-SB SMART SERIES

Project _____
 Part No. _____
 Quantity _____

- Maximize efficiency, save on-site labor costs and controls coordination headaches. MHT's fully integrated photocontrol, occupancy sensor and dimming ability can save up to 90% in energy costs! Making it the “Smart” Solution.

- Our proven “Smart” LED solutions offer incredible value, proven reliability and are backed by our 10-year warranty.



APPLICATIONS

- Area Lighting
- Parking Lots
- Flood Applications
- Parks
- Streets



FEATURES

- Integrated Photocontrol that Turns OFF Lighting When Sufficient Daylight is Available
- Integrated Motion Sensor that Reduces Light Output When An Area is Unoccupied
- Dimming Range Between 10% and 50% When Motion is Not Detected
- Different Lens Options for up to 40ft Mounting Height and 100ft Diameter Coverage
- Optional Remote Control for On-Site Motion Sensor Adjustment
- L70>79,000 Hours; Title 24 Compliant
- Die Cast Aluminum Housing (Dark Bronze)
- Open Top Design for Better Ventilation and Air Flow
- High Performance Acrylic Optical Lens
- Fixture Protection Class IP65
- Multiple Mounting and Distribution Options

LED/DRIVER

- Standard Input Voltage 120/277V
- Power Factor > 0.93 @277V
- THD < 16% @277V; CRI > 75
- Color Temperature 4000K/5000K
- 6kV Surge Protection - Optional 20kV
- IP67 LED Driver and Modules

Model	Input Power	Lumen	Dimensions	EPA at 0° (ft²)
MHTL-SB-135E-5K-U	135W	17,000	19.5" x 13.1" x 4.6"	1.8
MHTL-SB-185E-5K-U	185W	24,000	19.5" x 13.1" x 4.6"	1.8
MHTL-SB-210E-5K-U	210W	27,000	19.8" x 18.5" x 4.6"	2.65
MHTL-SB-255E-5K-U	255W	33,000	19.8" x 18.5" x 4.6"	2.65
MHTL-SB-325E-5K-U	325W	42,000	19.8" x 18.5" x 4.6"	2.65
MHTL-SB-425E-5K-U	425W	55,000	24.9" x 24" x 4.6"	4.25
MHTL-SB-520E-5K-U	520W	67,000	24.9" x 24" x 4.6"	4.25



Manufactured in the USA

Toll Free **888-511-7780** • www.mhtlighting.com



"SMART" LED SHOEBOX - Integrated Controls Solution

MHTL-SB SMART SERIES

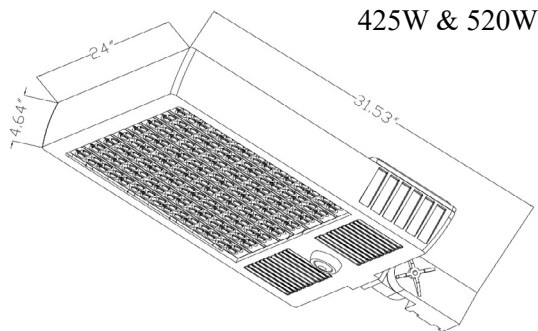
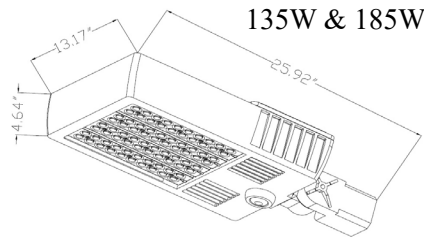
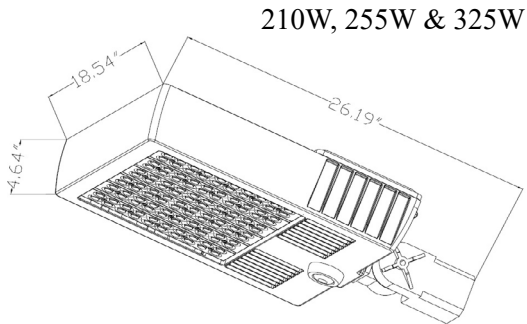
Project _____
 Part No. _____
 Quantity _____

ORDERING CODES





MHTL-SB	E					
Wattage: 135, 185, 210, 255, 325, 425, 520	Color Temp: 4K=4000K 5K=5000K	Input Voltage: U=120V/277V 240=230-240V @50Hz	Distribution: T3=Type III T5=Type V 33=3 X 3 55=5 X 5 66=6 X 6	Mounting: EA6=6" Arm EA10=10" Arm SF=Slip Fitter SW=Swivel	Option: (Standard in Dark Bronze) TC=Top Cover VISOR=Glare Shield BLS=Back Light Shield SPD=Surge Protective Device	
						< Sensor Settings >
Motion Sensor Lens Option: FSP-L3=20' Height, 40' Diameter Coverage FSP-L7=40' Height, 100' Diameter Coverage		Dim to OFF: Disable, 5 to 300 Minutes Default: Disable	Dimming Level: 10 to 50% Default: 50%	Hold Time: 1 to 30 Minutes Default: 3 Minutes		

Hold Time - Time period for fixture remains at 100% output after motion is not detected
Dimming Level - Fixture Light level after **Hold Time**
Dim to OFF - Time period for fixture remains at **Dimming Level** before goes OFF (Disable - Fixture won't go OFF)

DIMENSIONS



MOUNTING OPTIONS

-  **SF** - Slip Fitter (O.D. 2-3/8" Round Pole)
(Adjustable. 1ft Leads are Included)
-  **WM** - Wall/Surface Mount Bracket
(Used with Slip Fitter)
-  **SW** - Swivel/Surface Mount Bracket
(Adjustable. 1ft Power Cord is Included)
-  **EA** - 6" or 10" Aluminum Extruded Arm
(For Square Pole Use. 1ft Power Cord is Included)

- MHT Products are ETL Listed and Assembled in ISO9000/1 Certified US Facility
- MHT Lighting Offers a 10-year Warranty (See Warranty Terms and Conditions)
- Every Product is Quality Tested and Inspected Prior to Shipment
- Proudly Manufactured in the USA
- For Product IES Files Please Contact Your Local Reps

MHT Plant Operations
 1961 Richmond Terrace
 Staten Island, New York 10302
 Tel: (718) 524-4370
 Fax: (718) 524-4390

West Coast Operations
 2285 Michael Faraday Dr. Suite 10
 San Diego, California 92154
 Tel: (619) 661-0600

www.mhtlighting.com
888-511-7780

MHT Confidential
 Rev Date: December 2017