

LED TROFFER

MHTi-VOLS-MT SERIES

Project _____

Part Number _____

Quantity _____

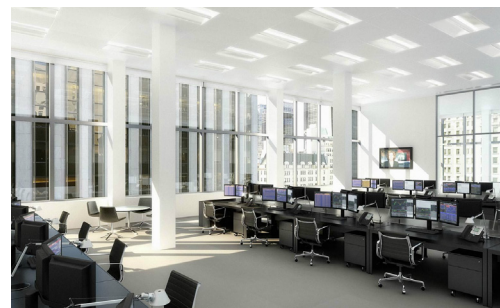


APPLICATIONS

- Corporate Campus
- Education, Retail
- Healthcare

FEATURES

- >100,000 Hours Rated Lifespan
- 10-year Warranty
- L70 > 75,000 Hours
- Slim and Lightweight Die-form Steel Housing
- Frosted White Polycarbonate Diffuser
- Highly Reflective Powder Coated White Finish
- Standard Grid Mount
- Available Surface Mount Kit for Ceiling Surface Mount
- Complete with Integrated Sensor



SPECIFICATIONS

- Color Temperature 3500K/4000K/5000K
- CRI > 80

Model	Input Power	Lm/W	Lumen	Dimensions
MHTi-VOLS-MT-1X4	26W	>110	>2,800	23.75" x 11.75" x 4"
MHTi-VOLS-MT-2X2	26W	>110	>2,800	23.75" x 23.75" x 4"
MHTi-VOLS-MT-2X4	48W	>110	>5,600	47.75" x 23.75" x 4"

ORDERING CODES

MHTi-VOLS-MT

--	--	--

Wattage:

1x4-26E=26W 35K=3500K (Standard in White)

2x2-26E=26W 4K=4000K AC=Custom Length Aircraft Cable

2x4-48E=48W 5K=5000K SM=Surface Mount



Manufactured in the USA

Toll Free **888.511.7780** • www.mhtlighting.com



LED TROFFER

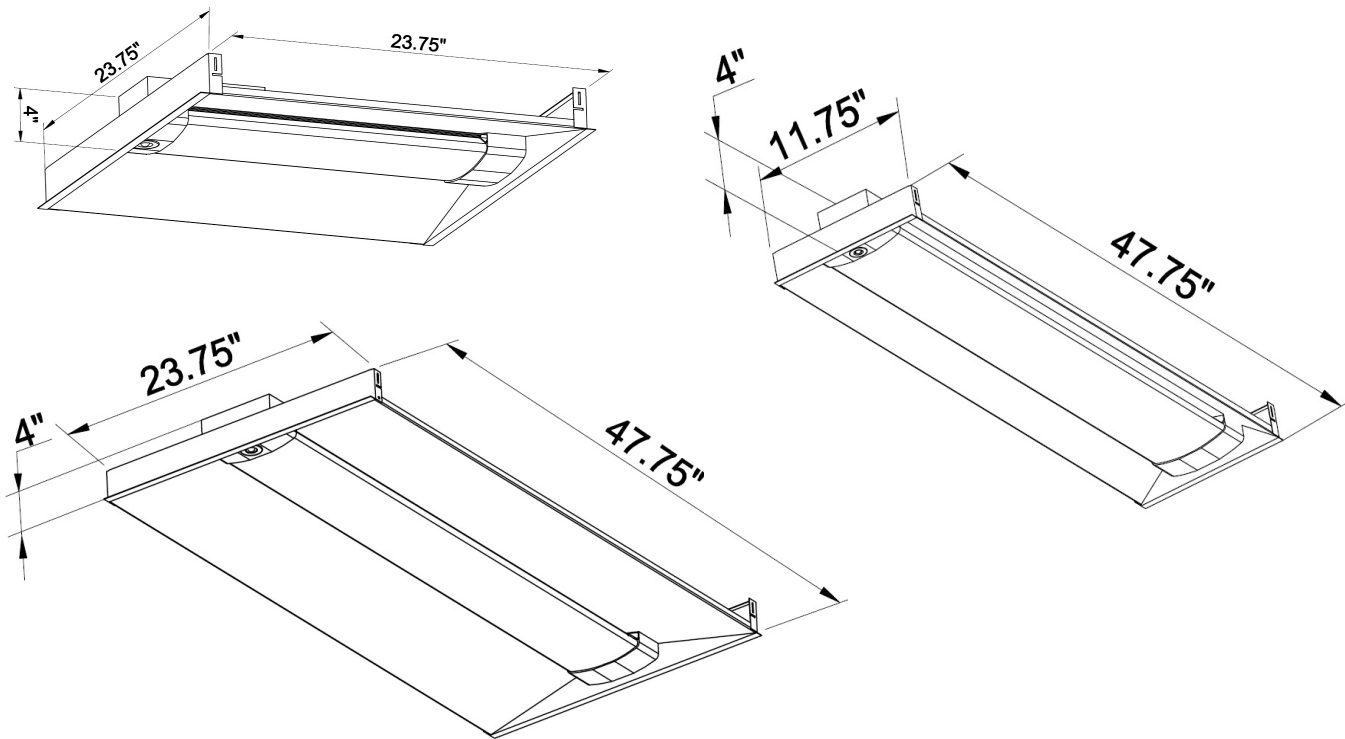
MHTi-VOLS-MT SERIES

Project _____

Part Number _____

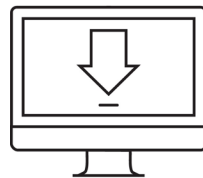
Quantity _____

DIMENSIONS



SYSTEM BENEFITS

- Powered by CISCO - PowerWise Category Cable
- Real-time Energy Management
- Monitor Workplace Productivity
- Reduce Installation Time
- Reduce Material Costs
- Space Utilization Reporting
- Daylight Harvesting
- Real-time Security Alerts



PowerWise™



molex™

- MHT Products are ETL Listed and Assembled in ISO9000/1 Certified US Facility
- MHT Lighting Offers a 10-year Warranty (See Warranty Terms and Conditions)
- Every Product is Quality Tested and Inspected Prior to Shipment
- Proudly Manufactured in the USA. Meets "Buy American" Requirements within the ARRA

MHT Manufacturing
1961 Richmond Terrace
Staten Island, New York 10302
Tel: 718.524.4370
Fax: 718.524.4390

West Coast Operations
9543 Heinrich Hertz Dr. Suite 5
San Diego, California 92154
Tel: 619.661.0600
Fax: 619.661.0607

www.mhtlighting.com
888.511.7780

MHT Confidential
Rev: January 2017