

LED TROFFER

MHTi-VOL-MT SERIES

Project _____

Part Number _____

Quantity _____

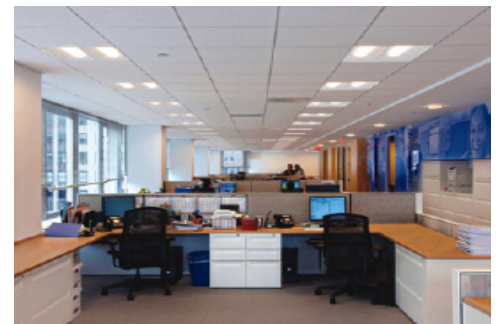


FEATURES

- >125,000 Hours Rated Lifespan
- 10-year Warranty
- L70 > 100,000 Hours
- Slim and Lightweight Die-form Steel Housing
- Frosted White Polycarbonate Diffuser
- Highly Reflective Powder Coated White Finish
- Standard Grid Mount
- Available Surface Mount Kit for Ceiling Surface Mount
- Complete with Integrated Sensor

APPLICATIONS

- Corporate Campus
- Education, Retail
- Healthcare



SPECIFICATIONS

- Color Temperature 3500K/4000K/5000K
- CRI > 80

| Model | Input Power | Lm/W | Lumen | Dimensions |
|---------------------|-------------|------|--------|----------------------|
| MHTi-VOL-MT-2x2-26E | 26W | >110 | >2,800 | 23.75" x 23.75" x 3" |
| MHTi-VOL-MT-2x4-26E | 26W | >115 | >3,100 | 23.75" x 23.75" x 3" |
| MHTi-VOL-MT-2x4-48E | 48W | >110 | >5,600 | 47.75" x 23.75" x 3" |

ORDERING CODES

MHTi-VOL-MT

Wattage:

2x2-26E=26W

2x4-26E=26W

2x4-48E=48W

Color Temp:

35K=3500K

4K=4000K

5K=5000K

Options:

(Standard in White)

AC=Custom Length Aircraft Cable

SMK=Surface Mount Kit



Manufactured in the USA

Toll Free **888.511.7780** • www.mhtlighting.com



LED TROFFER

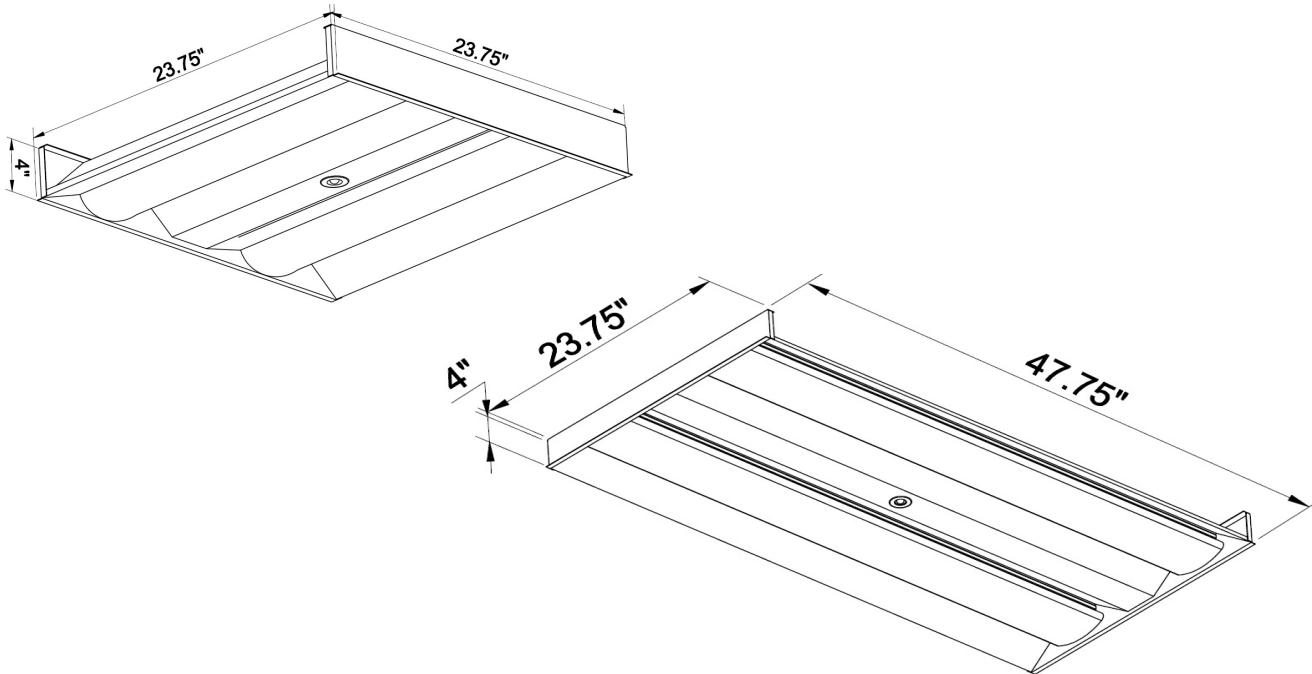
MHTi-VOL-MT SERIES

Project _____

Part Number _____

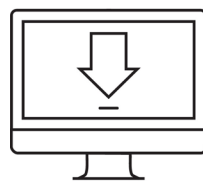
Quantity _____

DIMENSIONS



SYSTEM BENEFITS

- Powered by CISCO - PowerWise Category Cable
- Real-time Energy Management
- Monitor Workplace Productivity
- Reduce Installation Time
- Reduce Material Costs
- Space Utilization Reporting
- Daylight Harvesting
- Real-time Security Alerts



PowerWise™



molex®

- MHT Products are ETL Listed and Assembled in ISO9000/1 Certified US Facility
- MHT Lighting Offers a 10-year Warranty (See Warranty Terms and Conditions)
- Every Product is Quality Tested and Inspected Prior to Shipment
- Proudly Manufactured in the USA. Meets "Buy American" Requirements within the ARRA

MHT Manufacturing
1961 Richmond Terrace
Staten Island, New York 10302
Tel: 718.524.4370
Fax: 718.524.4390

West Coast Operations
9543 Heinrich Hertz Dr. Suite 5
San Diego, California 92154
Tel: 619.661.0600
Fax: 619.661.0607

www.mhtlighting.com
888.511.7780

MHT Confidential
Rev: January 2017